

PARTS LIST

CAUTION

- The parts identified by the \triangle symbol are important for the safety . Whenever replacing these parts, be sure to use specified ones to secure the safety .
- The parts not indicated in this Parts List and those which are filled with lines --- in the Parts No. columns will not be supplied .
- P. W. Board Ass'y will not be supplied, but those which are filled with the Parts No. in the Parts No. columns will be supplied .

ABBREVIATIONS OF RESISTORS, CAPACITORS AND TOLERANCES

RESISTORS		CAPACITORS	
C R	Carbon Resistor	C CAP.	Ceramic Capacitor
F R	Fusible Resistor	E CAP.	Electrolytic Capacitor
P R	Plate Resistor	M CAP.	Mylar Capacitor
V R	Variable Resistor	HV CAP.	High Voltage Capacitor
HV R	High Voltage Resistor	MF CAP.	Metalized Film Capacitor
MF R	Metal Film Resistor	MM CAP.	Metalized Mylar Capacitor
MG R	Metal Glazed Resistor	MP CAP.	Metalized Polystyrol Capacitor
MP R	Metal Plate Resistor	PP CAP.	Polypropylene Capacitor
OM R	Metal Oxide Film Resistor	PS CAP.	Polystyrol Capacitor
CMF R	Coating Metal Film Resistor	TF CAP.	Thin Film Capacitor
UNF R	Non-Flammable Resistor	MPP CAP.	Metalized Polypropylene Capacitor
CH V R	Chip Variable Resistor	TAN. CAP.	Tantalum Capacitor
CH MG R	Chip Metal Glazed Resistor	CH C CAP.	Chip Ceramic Capacitor
COMP. R	Composition Resistor	BP E CAP.	Bi-Polar Electrolytic Capacitor
LPTC R	Linear Positive Temperature Coefficient Resistor	CH AL E CAP.	Chip Aluminum Electrolytic Capacitor
		CH AL BP CAP.	Chip Aluminum Bi-Polar Capacitor
		CH TAN. E CAP.	Chip Tantalum Electrolytic Capacitor
		CH AL BP E CAP.	Chip Tantalum Bi-Polar Electrolytic Capacitor

RESISTORS									
F	G	J	K	M	N	R	H	Z	P
±1%	±2%	±5%	±10%	±20%	±30%	+30% -10%	+50% -10%	+80% -20%	+100% 0%

CONTENTS

USING P.W. BOARD & REMOTE CONTROL UNIT	37
EXPLODED VIEW PARTS LIST-I	37
EXPLODED VIEW-I	37
EXPLODED VIEW PARTS LIST-II	38
EXPLODED VIEW-II	39
PRINTED WIRING BOARD PARTS LIST (AV-21L11-PH)	
MAIN PW BOARD ASS'Y	40
PRINTED WIRING BOARD PARTS LIST (AV-21L31-PH)	
MAIN PW BOARD ASS'Y	45
PRINTED WIRING BOARD PARTS LIST (AV-25L31-PH)	
MAIN PW BOARD ASS'Y	50
REMOTE CONTROL UNIT PARTS LIST (RM-C248-2C).....	54
PACKING / PACKING PARTS LIST	55

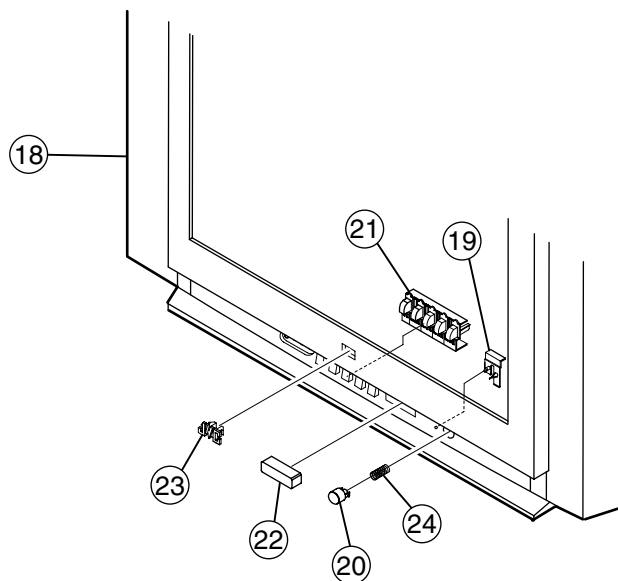
USING P.W. BOARD & REMOTE CONTROL UNIT

P.W.B ASS'Y	Model	AV-21L11-PH	AV-21L31-PH	AV-25L31-PH
MAIN PWB (include CRT SOCKET PWB)		SCH-1014A-H2	SCH-1012A-H2	SCH-1013A-H2
REMOTE CONTROL UNIT		RM-C248-2C	←	←

EXPLODED VIEW PARTS LIST-I

△ Ref.No.	Part No.	Part Name	Description	Local
18	GG10129-005A-HK	FRONT CABI	[AV-21L11-PH]	
18	GG10129-004A-HK	FRONT CABI	[AV-21L31-PH]	
18	GG10133-004A-HK	FRONT CABI	[AV-25L31-PH]	
19	GG30021-001A-H	LED LENS		
20	GG30019-001B-H	POWER KNOB		
21	GG20006-001A-H	CONTROL KNOB		
22	GG30020-001A-H	E.E. WINDOW		
23	CM48125-009	JVC MARK		
24	CM35235-003-H	SPRING		

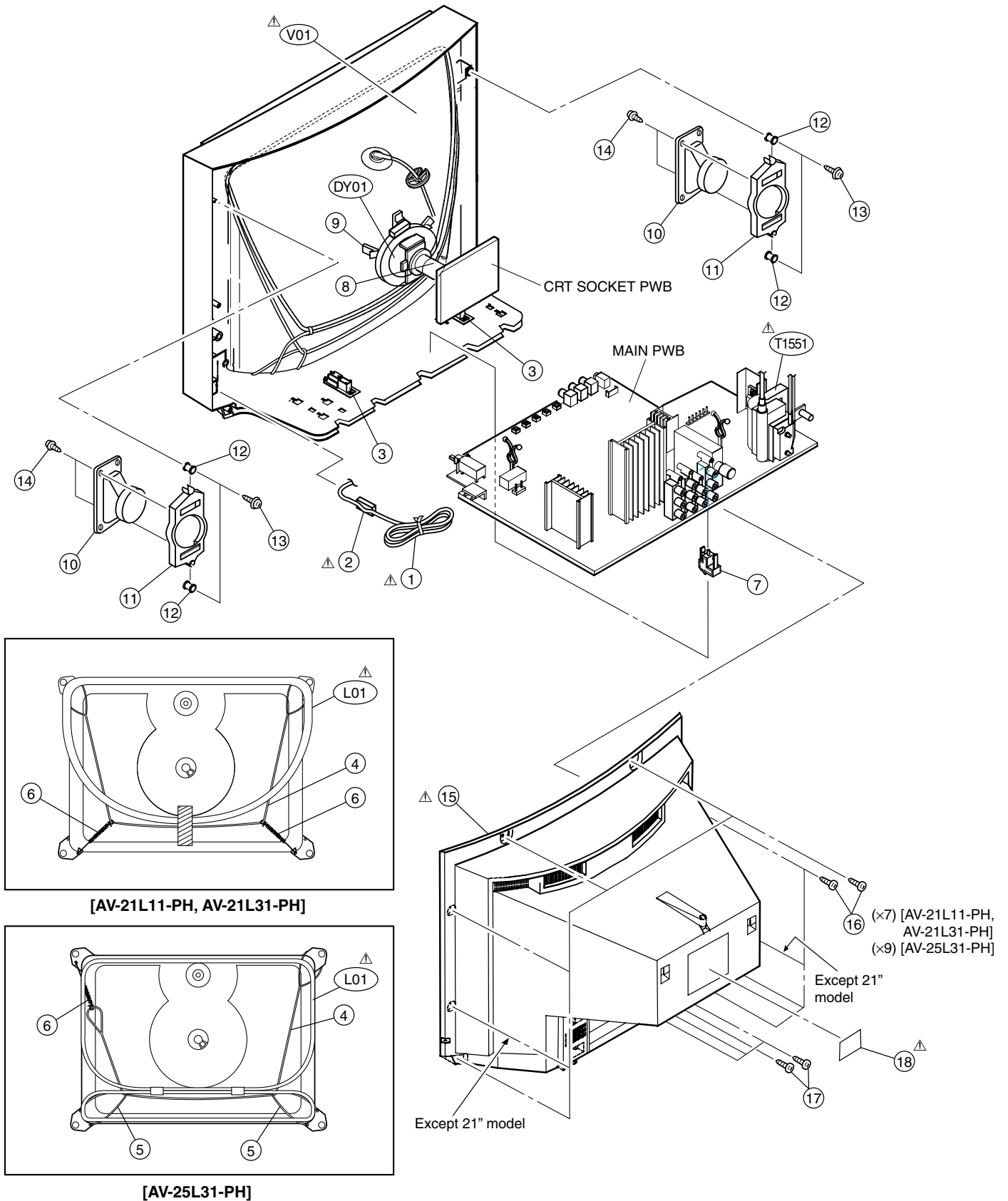
EXPLODED VIEW-I



EXPLODED VIEW PARTS LIST-II

△ Ref.No.	Part No.	Part Name	Description	Local
△ V01	A51LSH196X	PICTURE TUBE	[AV-21L11-PH, AV-21L31-PH]	
△ V01	A60LST196X	PICTURE TUBE	[AV-25L31-PH]	
△ L01	QQW0118-001	DEG COIL	[AV-21L11-PH, AV-21L31-PH]	
△ L01	QQW0119-001	DEG COIL	[AV-25L31-PH]	
△ DY01	QQD0044-001	DEFLECTION YOKE	[AV-21L11-PH, AV-21L31-PH]	
△ DY01	QQD0043-001	DEFLECTION YOKE	[AV-25L31-PH]	
△ T1551	QQH0104-001	FBT	[AV-21L11-PH, AV-21L31-PH]	
△ T1551	QQH0097-001	FBT	[AV-25L31-PH]	
△ 1	QMPR010-200-E2	POWER CORD		
△ 2	CM47005-A01-H	CORD CLAMP		
3	CM36623-B01-H	CHASSIS RAIL	(X2)	
4	CHGB0028-0A	BRAIDED ASS'Y		
5	CHGB0017-0C	BRAIDED ASSY (SUB)	(X2) [AV-25L31-PH]	
6	A48457-4-S	SPRING	(X2) [AV-21L11-PH, AV-21L31-PH]	
6	A48457-4-S	SPRING	[AV-25L31-PH]	
7	CM48144-002-H	PB STOPPER		
8	A75034-B	PC MAGNET		
9	CE40764-00A	WEDGE ASS'Y	(X3) [AV-21L11-PH, AV-21L31-PH]	
9	CE40764-00A	WEDGE ASSY	(X4) [AV-25L31-PH]	
10	QAS0032-001	SPEAKER	(X2) SP01, SP02	
11	LC20371-001D-H	SP HOLDER	(X2)	
12	LC40226-003A-H	SPACER	(X4)	
13	LC40317-002A-H	TAPPING SCREW	(X4)	
14	QYSBSB4012Z	TAPPING SCREW	(X4)	
△ 15	GG10130-008A-HK	REAR COVER	[AV-21L11-PH, AV-21L31-PH]	
△ 15	GG10134-004A-HK	REAR COVER	[AV-25L31-PH]	
16	QYSBSFG4016Z	TAPPING SCREW	(X7) [AV-21L11-PH, AV-21L31-PH]	
16	QYSBSFG4016Z	TAPPING SCREW	(X9) [AV-25L31-PH]	
17	QYSBSF3010Z	TAPPING SCREW	(X4)	
△ 18	GG20003-013A-H	RATING LABEL	[AV-21L11-PH]	
△ 18	GG20003-011A-H	RATING LABEL	[AV-21L31-PH]	
△ 18	GG20003-012A-H	RATING LABEL	[AV-25L31-PH]	

EXPLODED VIEW-II



PRINTED WIRING BOARD PARTS LIST (AV-21L11-PH)**MAIN PW BOARD ASS'Y(SCH-1014A-H2)**

△	Symbol No.	Part No.	Part Name	Description	Local	△	Symbol No.	Part No.	Part Name	Description	Local
RESISTOR						RESISTOR					
	R1001-02	NRSA63J-221X	MG R	220Ω 1/16W	J		R1526	QRG01GJ-271	OM R	270Ω 1W	J
	R1003	NRSA63J-392X	MG R	3.9kΩ 1/16W	J		R1527	QRL03EJ-103X	OM R	10kΩ 3W	J
	R1004	NRSA63J-221X	MG R	220Ω 1/16W	J		R1528-29	QRX029J-1R2	MF R	1.2Ω 2W	J
	R1006	NRSA63J-273X	MG R	27kΩ 1/16W	J		R1531	NRSA63J-222X	MG R	2.2kΩ 1/16W	J
	R1101	NRSA63J-100X	MG R	10Ω 1/16W	J	△	R1532	QRZ9017-4R7	F R	4.7Ω 1/4W	J
	R1102	NRSA63J-682X	MG R	6.8kΩ 1/16W	J	△	R1540	QRZ9011-4R7	F R	4.7Ω 1/2W	J
	R1103	NRSA63J-272X	MG R	2.7kΩ 1/16W	J		R1541-42	QRE121J-154Y	C R	150kΩ 1/2W	J
	R1104	NRSA63J-181X	MG R	180Ω 1/16W	J		R1543	QRE121J-471Y	C R	470Ω 1/2W	J
	R1105	NRSA63J-220X	MG R	22Ω 1/16W	J		R1545	QRE121J-220Y	C R	22Ω 1/2W	J
	R1106	NRSA63J-101X	MG R	100Ω 1/16W	J		R1546	QRE121J-822Y	C R	8.2kΩ 1/2W	J
	R1107	NRSA63J-472X	MG R	4.7kΩ 1/16W	J		R1591	QRE121J-222Y	C R	2.2kΩ 1/2W	J
	R1108-10	NRSA63J-222X	MG R	2.2kΩ 1/16W	J		R1592	QRZ0221-2R2	UNF R	2.2Ω	
	R1117	NRSA63J-102X	MG R	1kΩ 1/16W	J		R1593	NRSA63J-102X	MG R	1kΩ 1/16W	J
	R1119	NRSA63J-102X	MG R	1kΩ 1/16W	J		R1594	QRE121J-183Y	C R	18kΩ 1/2W	J
	R1120	NRSA63J-471X	MG R	470Ω 1/16W	J		R1595	NRSA63J-222X	MG R	2.2kΩ 1/16W	J
	R1130	NRSA63J-472X	MG R	4.7kΩ 1/16W	J		R1596	QRE141J-0R0Y	C R	0.0Ω 1/4W	J
	R1131	NRSA63J-471X	MG R	470Ω 1/16W	J		R1621-22	NRSA63J-101X	MG R	100Ω 1/16W	J
	R1132	NRSA63J-222X	MG R	2.2kΩ 1/16W	J		R1626	NRSA63J-472X	MG R	4.7kΩ 1/16W	J
	R1133	NRSA63J-152X	MG R	1.5kΩ 1/16W	J		R1627	NRSA63J-224X	MG R	220kΩ 1/16W	J
	R1134	NRSA63J-182X	MG R	1.8kΩ 1/16W	J		R1628	NRSA63J-104X	MG R	100kΩ 1/16W	J
	R1135	NRSA63J-561X	MG R	560Ω 1/16W	J		R1629	NRSA63J-153X	MG R	15kΩ 1/16W	J
	R1143	NRSA63J-471X	MG R	470Ω 1/16W	J		R1630	NRSA63J-273X	MG R	27kΩ 1/16W	J
	R1144	NRSA63J-220X	MG R	22Ω 1/16W	J		R1631	NRSA63J-473X	MG R	47kΩ 1/16W	J
	R1145	NRSA63J-821X	MG R	820Ω 1/16W	J		R1632-33	NRSA63J-103X	MG R	10kΩ 1/16W	J
	R1146	NRSA63J-103X	MG R	10kΩ 1/16W	J		R1650	NRSA63J-392X	MG R	3.9kΩ 1/16W	J
	R1147	NRSA63J-101X	MG R	100Ω 1/16W	J		R1651	NRSA63J-102X	MG R	1kΩ 1/16W	J
	R1148	NRSA63J-332X	MG R	3.3kΩ 1/16W	J		R1652-53	NRSA63J-0R0X	MG R	0.0Ω 1/16W	J
	R1301-02	NRSA63J-222X	MG R	2.2kΩ 1/16W	J		R1654	NRSA63J-392X	MG R	3.9kΩ 1/16W	J
	R1303	NRSA63J-562X	MG R	5.6kΩ 1/16W	J		R1655	NRSA63J-102X	MG R	1kΩ 1/16W	J
	R1304-05	NRSA63J-222X	MG R	2.2kΩ 1/16W	J		R1658-59	QRE121J-2R2Y	C R	2.2Ω 1/2W	J
	R1306	NRSA63J-562X	MG R	5.6kΩ 1/16W	J		R1660	NRSA63J-103X	MG R	10kΩ 1/16W	J
	R1350-51	NRSA63J-151X	MG R	150Ω 1/16W	J		R1661	NRSA63J-683X	MG R	68kΩ 1/16W	J
	R1353	NRSA63J-151X	MG R	150Ω 1/16W	J		R1662	NRSA63J-333X	MG R	33kΩ 1/16W	J
	R1354	QRE121J-222Y	C R	2.2kΩ 1/2W	J		R1663	NRSA63J-103X	MG R	10kΩ 1/16W	J
	R1363	QRZ0107-152Z	C R	1.5kΩ 1/2W	K		R1664	NRSA63J-222X	MG R	2.2kΩ 1/16W	J
	R1364	QRE121J-222Y	C R	2.2kΩ 1/2W	J		R1688	NRSA63J-273X	MG R	27kΩ 1/16W	J
	R1365	QRZ0107-152Z	C R	1.5kΩ 1/2W	K		R1690	NRSA63J-104X	MG R	100kΩ 1/16W	J
	R1366	QRZ0107-474Z	C R	470kΩ 1/2W	K		R1695	NRSA63J-562X	MG R	5.6kΩ 1/16W	J
	R1368	QRZ0107-152Z	C R	1.5kΩ 1/2W	K		R1696	NRSA63J-222X	MG R	2.2kΩ 1/16W	J
	R1369	QRE121J-222Y	C R	2.2kΩ 1/2W	J		R1698-99	NRSA63J-104X	MG R	100kΩ 1/16W	J
	R1373	QRE121J-394Y	C R	390kΩ 1/2W	J		R1701	NRSA63J-103X	MG R	10kΩ 1/16W	J
	R1374	QRE121J-124Y	C R	120kΩ 1/2W	J		R1702-03	NRSA63J-101X	MG R	100Ω 1/16W	J
	R1380-83	NRSA63J-101X	MG R	100Ω 1/16W	J		R1707-10	NRSA63J-472X	MG R	4.7kΩ 1/16W	J
	R1384	NRSA63J-223X	MG R	22kΩ 1/16W	J		R1711-13	NRSA63J-101X	MG R	100Ω 1/16W	J
	R1401	NRSA63J-224X	MG R	220kΩ 1/16W	J		R1714	NRSA63J-102X	MG R	1kΩ 1/16W	J
	R1403	NRSA63J-0R0X	MG R	0.0Ω 1/16W	J		R1715-17	NRSA63J-103X	MG R	10kΩ 1/16W	J
	R1405	NRSA63J-682X	MG R	6.8kΩ 1/16W	J		R1718-19	NRSA63J-221X	MG R	220Ω 1/16W	J
	R1406	NRSA63J-123X	MG R	12kΩ 1/16W	J		R1720	NRSA63J-102X	MG R	1kΩ 1/16W	J
	R1408	NRSA63J-682X	MG R	6.8kΩ 1/16W	J		R1721-24	NRSA63J-221X	MG R	220Ω 1/16W	J
	R1409	NRSA02J-184X	MG R	180kΩ 1/10W	J		R1725	NRSA63J-103X	MG R	10kΩ 1/16W	J
	R1410	NRSA63J-123X	MG R	12kΩ 1/16W	J		R1726	NRSA63J-472X	MG R	4.7kΩ 1/16W	J
	R1411	QRG01GJ-221	OM R	220Ω 1W	J		R1727	NRSA63J-104X	MG R	100kΩ 1/16W	J
	R1412	QRE121J-1R0Y	C R	1.0Ω 1/2W	J		R1728	NRSA63J-103X	MG R	10kΩ 1/16W	J
	R1413	QRX01GJ-5R6	MF R	5.6Ω 1W	J		R1730	NRSA63J-223X	MG R	22kΩ 1/16W	J
	R1414	QRE121J-6R8Y	C R	6.8Ω 1/2W	J		R1731	NRSA63J-101X	MG R	100Ω 1/16W	J
	R1425	NRSA63J-683X	MG R	68kΩ 1/16W	J		R1732	NRSA02F-393X	MG R	39kΩ 1/10W	F
	R1480	QRE121J-681Y	C R	680Ω 1/2W	J		R1733	NRSA63J-273X	MG R	27kΩ 1/16W	J
	R1481	NRSA63J-223X	MG R	22kΩ 1/16W	J		R1734	NRSA63J-391X	MG R	390Ω 1/16W	J
	R1482	NRSA63J-562X	MG R	5.6kΩ 1/16W	J		R1735	NRSA63J-104X	MG R	100kΩ 1/16W	J
	R1483	NRSA63J-823X	MG R	82kΩ 1/16W	J		R1736	NRSA63J-333X	MG R	33kΩ 1/16W	J
	R1484-85	NRSA63J-562X	MG R	5.6kΩ 1/16W	J		R1737	NRSA63J-272X	MG R	2.7kΩ 1/16W	J
	R1486	NRSA63J-272X	MG R	2.7kΩ 1/16W	J		R1738	NRSA63J-103X	MG R	10kΩ 1/16W	J
	R1487	NRSA63J-333X	MG R	33kΩ 1/16W	J		R1739-41	NRSA63J-101X	MG R	100Ω 1/16W	J
	R1489	NRSA63J-122X	MG R	1.2kΩ 1/16W	J		R1742	NRSA63J-0R0X	MG R	0.0Ω 1/16W	J
	R1490	NRSA63J-102X	MG R	1kΩ 1/16W	J		R1743	QRE141J-102Y	C R	1kΩ 1/4W	J
	R1491	NRSA63J-562X	MG R	5.6kΩ 1/16W	J		R1744	NRSA63J-561X	MG R	560Ω 1/16W	J
	R1492	NRSA63J-822X	MG R	8.2kΩ 1/16W	J		R1745	NRSA63J-105X	MG R	1MΩ 1/16W	J
	R1493	QRE121J-223Y	C R	22kΩ 1/2W	J		R1746	NRSA63J-333X	MG R	33kΩ 1/16W	J
	R1494	QRL03EJ-330X	OM R	33Ω 3W	J		R1747	NRSA63J-103X	MG R	10kΩ 1/16W	J
	R1521	NRSA63J-101X	MG R	100Ω 1/16W	J		R1748-49	NRSA02J-475X	MG R	4.7MΩ 1/10W	J
	R1522	NRSA63J-102X	MG R	1kΩ 1/16W	J		R1750-51	QRE141J-0R0Y	C R	0.0Ω 1/4W	J
	R1524	QRL02EJ-330X	OM R	33Ω 2W	J		R1755-56	NRSA63J-101X	MG R	100Ω 1/16W	J

△	Symbol No.	Part No.	Part Name	Description	Local	△	Symbol No.	Part No.	Part Name	Description	Local
RESISTOR						RESISTOR					
	R1757-58	NRSA63J-222X	MG R	2.2kΩ 1/16W	J		R1963	QRE121J-103Y	C R	10kΩ 1/2W	J
	R1760	NRSA63J-682X	MG R	6.8kΩ 1/16W	J		R1964	NRSA63J-473X	MG R	47kΩ 1/16W	J
	R1770	QRE121J-271Y	C R	270Ω 1/2W	J		R1965	NRSA63J-0R0X	MG R	0.0Ω 1/16W	J
	R1771	NRSA63J-102X	MG R	1kΩ 1/16W	J		R1966	NRSA63J-682X	MG R	6.8kΩ 1/16W	J
	R1772	QRE121J-271Y	C R	270Ω 1/2W	J		R1967	NRSA63J-473X	MG R	47kΩ 1/16W	J
	R1773	NRSA63J-102X	MG R	1kΩ 1/16W	J		R1970	NRSA63J-153X	MG R	15kΩ 1/16W	J
	R1775	NRSA63J-332X	MG R	3.3kΩ 1/16W	J		R1971	NRSA63J-183X	MG R	18kΩ 1/16W	J
	R1776	NRSA63J-392X	MG R	3.9kΩ 1/16W	J	△	R1991	QRZ0057-825	C R	8.2MΩ 1W	J
	R1777	NRSA63J-682X	MG R	6.8kΩ 1/16W	J	CAPACITOR					
	R1779	NRSA63J-272X	MG R	2.7kΩ 1/16W	J	C1001	NCB31HK-103X	C CAP.	0.01μF 50V	K	
	R1780	NRSA63J-471X	MG R	470Ω 1/16W	J	C1002	QETN1HM-106Z	E CAP.	10μF 50V	M	
	R1781	NRSA63J-122X	MG R	1.2kΩ 1/16W	J	C1003	QFV71HJ-104Z	MF CAP.	0.1μF 50V	J	
	R1782	NRSA63J-181X	MG R	180Ω 1/16W	J	C1004	QETN1CM-477Z	E CAP.	470μF 16V	M	
	R1783	NRSA63J-221X	MG R	220Ω 1/16W	J	C1005	NCB31HK-222X	C CAP.	2200pF 50V	K	
	R1784	NRSA63J-331X	MG R	330Ω 1/16W	J	C1006	QETN1CM-336Z	E CAP.	33μF 16V	M	
	R1785	NRSA63J-471X	MG R	470Ω 1/16W	J	C1007	NCB31HK-103X	C CAP.	0.01μF 50V	K	
	R1803	NRSA63J-333X	MG R	33kΩ 1/16W	J	C1101-04	NCB31HK-472X	C CAP.	4700pF 50V	K	
	R1804-05	NRSA63J-750X	MG R	75Ω 1/16W	J	C1106-07	NCB31HK-103X	C CAP.	0.01μF 50V	K	
	R1808	NRSA63J-823X	MG R	82kΩ 1/16W	J	C1109	QETN1HM-106Z	E CAP.	10μF 50V	M	
	R1809	NRSA63J-391X	MG R	390Ω 1/16W	J	C1130	NCB31HK-103X	C CAP.	0.01μF 50V	K	
	R1810	NRSA63J-823X	MG R	82kΩ 1/16W	J	C1132	NCB31HK-103X	C CAP.	0.01μF 50V	K	
	R1811	NRSA63J-391X	MG R	390Ω 1/16W	J	C1133	QETN1CM-107Z	E CAP.	100μF 16V	M	
	R1812	NRSA63J-104X	MG R	100kΩ 1/16W	J	C1134	NCB31HK-103X	C CAP.	0.01μF 50V	K	
	R1813	NRSA63J-222X	MG R	2.2kΩ 1/16W	J	C1135	QETN1EM-476Z	E CAP.	47μF 25V	M	
	R1815	NRSA63J-101X	MG R	100Ω 1/16W	J	C1136-38	NCB31HK-103X	C CAP.	0.01μF 50V	K	
	R1818	NRSA63J-222X	MG R	2.2kΩ 1/16W	J	C1140-42	NCB31HK-103X	C CAP.	0.01μF 50V	K	
	R1820	NRSA63J-101X	MG R	100Ω 1/16W	J	C1143	QETN1HM-106Z	E CAP.	10μF 50V	M	
	R1821	NRSA63J-222X	MG R	2.2kΩ 1/16W	J	C1144	NCB31HK-223X	C CAP.	0.022μF 50V	K	
	R1823	NRSA63J-101X	MG R	100Ω 1/16W	J	C1308	NCB31HK-103X	C CAP.	0.01μF 50V	K	
	R1824	NRSA63J-222X	MG R	2.2kΩ 1/16W	J	C1352	QFK62EK-104Z	MM CAP.	0.1μF 250V	K	
	R1826	NRSA63J-101X	MG R	100Ω 1/16W	J	C1353	QETN2EM-475Z	E CAP.	4.7μF 250V	M	
	R1829	NRSA63J-750X	MG R	75Ω 1/16W	J	C1354	QCZ0131-222	C CAP.	2200pF 2000V	K	
	R1830-31	NRSA63J-222X	MG R	2.2kΩ 1/16W	J	C1355	QCZ0131-472	C CAP.	4700pF 2000V	K	
	R1832	NRSA63J-122X	MG R	1.2kΩ 1/16W	J	C1357	NDC31HJ-101X	C CAP.	100pF 50V	J	
	R1833	NRSA63J-102X	MG R	1kΩ 1/16W	J	C1358	QETN1CM-477Z	E CAP.	470μF 16V	M	
	R1834-35	NRSA63J-562X	MG R	5.6kΩ 1/16W	J	C1401	QETN1HM-105Z	E CAP.	1μF 50V	M	
	R1836	NRSA63J-750X	MG R	75Ω 1/16W	J	C1402	QCB31HK-682Z	C CAP.	6800pF 50V	K	
	R1837	NRSA63J-101X	MG R	100Ω 1/16W	J	C1403	QEHR1VM-227Z	E CAP.	220μF 35V	M	
	R1838	QRK126J-121X	C R	120Ω 1/2W	J	C1406	QFLC2AJ-683Z	M CAP.	0.068μF 100V	J	
	R1839-40	QRE121J-221Y	C R	220Ω 1/2W	J	C1408	QFV71HJ-184Z	MF CAP.	0.18μF 50V	J	
	R1841-42	NRSA63J-0R0X	MG R	0.0Ω 1/16W	J	C1411-12	NCF21HZ-334X	C CAP.	0.33μF 50V	Z	
	R1843	NRSA63J-821X	MG R	820Ω 1/16W	J	C1413	QFLC2AJ-563Z	M CAP.	0.056μF 100V	J	
	R1844	NRSA63J-222X	MG R	2.2kΩ 1/16W	J	C1422	QEHR1VM-108	E CAP.	1000μF 35V	M	
	R1845	NRSA63J-102X	MG R	1kΩ 1/16W	J	C1480	QETN1HM-106Z	E CAP.	10μF 50V	M	
	R1846	NRSA63J-222X	MG R	2.2kΩ 1/16W	J	C1483	QEZ0195-475Z	E CAP.	4.7μF 50V	M	
	R1847	NRSA63J-103X	MG R	10kΩ 1/16W	J	C1485	QETN1HM-226Z	E CAP.	22μF 50V	M	
	R1848	NRSA63J-471X	MG R	470Ω 1/16W	J	C1521	QETN1VM-476Z	E CAP.	47μF 35V	M	
	R1849	NRSA63J-221X	MG R	220Ω 1/16W	J	C1522	QFLC1HJ-332Z	M CAP.	3300pF 50V	J	
	R1880	NRSA63J-202X	MG R	2kΩ 1/16W	J	C1523	QFLC1HJ-223Z	M CAP.	0.022μF 50V	J	
	R1881	NRSA63J-103X	MG R	10kΩ 1/16W	J	C1524	QFZ0196-602	MPP CAP.	6000pF 1.5kVH ±3%		
	R1882	NRSA63J-471X	MG R	470Ω 1/16W	J	C1525	QFZ0196-472	MPP CAP.	4700pF 1.5kVH ±3%		
	R1883	NRSA63J-181X	MG R	180Ω 1/16W	J	C1526	QFP32GJ-183	PP CAP.	0.018μF 400V	J	
	R1884-85	QRE141J-750Y	C R	75Ω 1/4W	J	C1527-28	QFZ0199-154	MPP CAP.	0.15μF 250V	J	
	R1902	QRF154K-2R2	UNF R	2.2Ω	K	C1529	QEHR2EM-475Z	E CAP.	4.7μF 250V	M	
	R1904	QRE121J-681Y	C R	680Ω 1/2W	J	C1530	QCB32HK-561Z	C CAP.	560pF 500V	K	
	R1905	QRM034J-R22	MP R	0.22Ω 3W	J	C1531	QEHR1EM-108Z	E CAP.	1000μF 25V	M	
	R1907	NRSA63J-563X	MG R	56kΩ 1/16W	J	C1533	QEHR1EM-108Z	E CAP.	1000μF 25V	M	
	R1908	QRL039J-333	OM R	33kΩ 3W	J	C1535	QCB32HK-101Z	C CAP.	100pF 500V	K	
	R1909	QRE121J-474Y	C R	470kΩ 1/2W	J	C1536	QFLC1HJ-103Z	M CAP.	0.01μF 50V	J	
	R1910	QRE121J-392Y	C R	3.9kΩ 1/2W	J	C1540	QFV71HJ-104Z	MF CAP.	0.1μF 50V	J	
	R1911	QRE121J-332Y	C R	3.3kΩ 1/2W	J	C1541	QETN2EM-106Z	E CAP.	10μF 250V	M	
	R1912	NRSA63J-182X	MG R	1.8kΩ 1/16W	J	C1550	NCB31CK-104X	C CAP.	0.1μF 16V	K	
△	R1915	QRZ0111-474	C R	470kΩ 1/2W	K	C1591	QETN1AM-107Z	E CAP.	100μF 10V	M	
	R1952	NRSA63J-332X	MG R	3.3kΩ 1/16W	J	C1592	QEZ0203-107	E CAP.	100μF 160V	M	
	R1953	NRSA63J-101X	MG R	100Ω 1/16W	J	C1593	QETN1EM-476Z	E CAP.	47μF 25V	M	
	R1954	QRE121J-560Y	C R	56Ω 1/2W	J	C1603	QETN1CM-228Z	E CAP.	2200μF 16V	M	
	R1955	QRG01GJ-330	OM R	33Ω 1W	J	C1625	QETN1HM-106Z	E CAP.	10μF 50V	M	
	R1956	QRE121J-100Y	C R	10Ω 1/2W	J	C1626	QETN1CM-107Z	E CAP.	100μF 16V	M	
	R1957	QRE121J-6R8Y	C R	6.8Ω 1/2W	J	C1629	QETN1HM-475Z	E CAP.	4.7μF 50V	M	
	R1960	NRSA63J-391X	MG R	390Ω 1/16W	J						
	R1961	QRL02EJ-223X	OM R	22kΩ 2W	J						
	R1962	NRSA63J-561X	MG R	560Ω 1/16W	J						

△ Symbol No.	Part No.	Part Name	Description	Local
CAPACITOR				
C1630	NDC31HJ-471X	C CAP.	470pF 50V J	
C1631	NCB31EK-333X	C CAP.	0.033μF 25V K	
C1634	QETN1HM-106Z	E CAP.	10μF 50V M	
C1636-37	QETN1HM-105Z	E CAP.	1μF 50V M	
C1638	NCB31EK-333X	C CAP.	0.033μF 25V K	
C1639	NDC31HJ-471X	C CAP.	470pF 50V J	
C1640	QETN1HM-475Z	E CAP.	4.7μF 50V M	
C1641	QETN1CM-107Z	E CAP.	100μF 16V M	
C1642	NCB31CK-104X	C CAP.	0.1μF 16V K	
C1643	NCB31HK-562X	C CAP.	5600pF 50V K	
C1644	QETN1HM-475Z	E CAP.	4.7μF 50V M	
C1645-46	QETN1HM-106Z	E CAP.	10μF 50V M	
C1647	NCB31EK-393X	C CAP.	0.039μF 25V K	
C1648	NCB31HK-223X	C CAP.	0.022μF 50V K	
C1650	QEHR1HM-106Z	E CAP.	10μF 50V M	
C1651	QEHR1HM-107Z	E CAP.	100μF 50V M	
C1652	QETN1HM-106Z	E CAP.	10μF 50V M	
C1655-56	QEQH1VM-108	E CAP.	1000μF 35V M	
C1659-61	NCF21HZ-224X	C CAP.	0.22μF 50V Z	
C1662	QEHR1HM-106Z	E CAP.	10μF 50V M	
C1663	NCF21HZ-224X	C CAP.	0.22μF 50V Z	
C1665	NCF31AZ-105X	C CAP.	1μF 10V Z	
C1669	NCF31AZ-105X	C CAP.	1μF 10V Z	
C1681-82	QETN1CM-227Z	E CAP.	220μF 16V M	
C1683	QETN1HM-336Z	E CAP.	33μF 50V M	
C1685-86	NRSA63J-0R0X	MG R	0.0Ω 1/16W J	
C1702	QETN1HM-106Z	E CAP.	10μF 50V M	
C1703-04	NDC31HJ-220X	C CAP.	22pF 50V J	
C1706	NCB21EK-224X	C CAP.	0.22μF 25V K	
C1707	QETN1CM-107Z	E CAP.	100μF 16V M	
C1709	QETN1CM-107Z	E CAP.	100μF 16V M	
C1710	NCB21EK-224X	C CAP.	0.22μF 25V K	
C1711	NCB31CK-104X	C CAP.	0.1μF 16V K	
C1713	NCB31CK-104X	C CAP.	0.1μF 16V K	
C1714	QETN1CM-476Z	E CAP.	47μF 16V M	
C1720	QETN1CM-476Z	E CAP.	47μF 16V M	
C1725	NCB31HK-681X	C CAP.	680pF 50V K	
C1730-31	NCB21EK-224X	C CAP.	0.22μF 25V K	
C1732	QETN1CM-107Z	E CAP.	100μF 16V M	
C1733	NCB31CK-104X	C CAP.	0.1μF 16V K	
C1734-35	NCB31HK-222X	C CAP.	2200pF 50V K	
C1736-37	QETN1HM-105Z	E CAP.	1μF 50V M	
C1738	NCB31CK-104X	C CAP.	0.1μF 16V K	
C1739	NFV41CJ-104X	MPP CAP.	0.1μF 16V J	
C1740	QETN1HM-225Z	E CAP.	2.2μF 50V M	
C1741-42	NCB31CK-104X	C CAP.	0.1μF 16V K	
C1743	QETN1CM-107Z	E CAP.	100μF 16V M	
C1744	NCB21HK-102X	C CAP.	1000pF 50V K	
C1745-47	NCB31EK-473X	C CAP.	0.047μF 25V K	
C1749	QETN1HM-106Z	E CAP.	10μF 50V M	
C1751-53	NCB31CK-104X	C CAP.	0.1μF 16V K	
C1760	NCB21EK-104X	C CAP.	0.1μF 25V K	
C1761	QETN1CM-107Z	E CAP.	100μF 16V M	
C1770	QETN1HM-106Z	E CAP.	10μF 50V M	
C1801-04	QETN1HM-106Z	E CAP.	10μF 50V M	
C1805	QFLC1HJ-104Z	M CAP.	0.1μF 50V J	
C1807-08	NCF31AZ-105X	C CAP.	1μF 10V Z	
C1810	NCF31AZ-105X	C CAP.	1μF 10V Z	
C1811	QFLC1HJ-104Z	M CAP.	0.1μF 50V J	
C1812	NCF31AZ-105X	C CAP.	1μF 10V Z	
C1813	NCB31HK-103X	C CAP.	0.01μF 50V K	
C1814	QFLC1HJ-104Z	M CAP.	0.1μF 50V J	
C1815	NCF31AZ-105X	C CAP.	1μF 10V Z	
C1817	NCF31AZ-105X	C CAP.	1μF 10V Z	
C1819	QFLC1HJ-104Z	M CAP.	0.1μF 50V J	
C1820-21	NCF31AZ-105X	C CAP.	1μF 10V Z	
C1822	QETN1CM-477Z	E CAP.	470μF 16V M	
C1823-24	QETN1CM-107Z	E CAP.	100μF 16V M	
C1825	NCB31HK-103X	C CAP.	0.01μF 50V K	
C1826	QFLC1HJ-104Z	M CAP.	0.1μF 50V J	
C1827	NCB31HK-103X	C CAP.	0.01μF 50V K	
C1829-31	NCB31HK-103X	C CAP.	0.01μF 50V K	

△ Symbol No.	Part No.	Part Name	Description	Local
CAPACITOR				
C1833	QETN1HM-226Z	E CAP.	22μF 50V M	
C1834	NDC31HJ-181X	C CAP.	180pF 50V J	
△ C1901	QFZ9073-104	MF CAP.	0.1μF	
△ C1902	QFZ9073-473	MF CAP.	0.047μF	
C1903-05	QCZ9015-102Z	C CAP.	1000pF 250V Z	
△ C1906	QFZ9073-224	MF CAP.	0.22μF	
C1907	QEZO199-227	E CAP.	220μF 400V M	
C1908	QCZ0364-222	C CAP.	2200pF	
C1910	NDC21HJ-471X	C CAP.	470pF 50V J	
C1911	QEHR1EM-227Z	E CAP.	220μF 25V M	
C1914	QETN1EM-227Z	E CAP.	220μF 25V M	
C1915	QFLC1HJ-222Z	M CAP.	2200pF 50V J	
C1952	QCB32HK-471Z	C CAP.	470pF 500V K	
C1953	QEHR1VM-108Z	E CAP.	1000μF 35V M	
C1954	NCB31HK-102X	C CAP.	1000pF 50V K	
C1957	QCB32HK-471Z	C CAP.	470pF 500V K	
C1958	QEQH1EM-108	E CAP.	1000μF 25V M	
C1959	QCZ0364-561	C CAP.	560pF	
C1960	QEZO203-107	E CAP.	100μF 160V M	
C1962	QETN1HM-106Z	E CAP.	10μF 50V M	
C1963	QETN1CM-476Z	E CAP.	47μF 16V M	
C1964	QEHR1VM-476Z	E CAP.	47μF 35V M	
C1968	NCB31CK-104X	C CAP.	0.1μF 16V K	
C1972	QEHR1VM-476Z	E CAP.	47μF 35V M	
C1973	QEHR1CM-107Z	E CAP.	100μF 10V M	
C1974	NCB31CK-104X	C CAP.	0.1μF 16V K	
C1975	QEHR1CM-227Z	E CAP.	220μF 16V M	
C1976	QEHR1CM-107Z	E CAP.	100μF 16V M	
C1977	QEHR1AM-477Z	E CAP.	470μF 10V M	
C1978	NCB21HK-104X	C CAP.	0.1μF 50V K	
C1980	QETN1CM-107Z	E CAP.	100μF 16V M	
△ C1991-93	QCZ9079-102	C CAP.	1000pF 250V M	
TRANSFORMER				
T1521	CE40203-00CJ1	DRIVE TRANSF.		
△ T1551	QQH0104-001	H.V.TRANSF.		
△ T1901	QQS0117-001	SWTICH.TRANSF.		
COIL				
L1001-02	QQL244K-8R2Z	COIL	8.2μH	K
L1101	QQL244J-5R6Z	COIL	5.6μH	J
L1104	QQL244K-180Z	COIL	18μH	K
L1351	QQL03BJ-5R6Z	COIL	5.6μH	J
L1480	QQLZ016-821	CHOKE COIL	820μH	
L1523	QQR1005-002	LINEARITY COIL		
L1524	QQLZ034-430	HEATER CHOKE	43μH	
L1701-02	QQL244K-100Z	COIL	10μH	K
L1731	QQL244J-5R6Z	COIL	5.6μH	J
L1951	QQLZ034-460	CHOKE COIL	46μH	
L1953-54	QQL244J-5R6Z	COIL	5.6μH	J
DIODE				
D1101	DAN235K-X	SI.DIODE		
D1351	MA111-X	SI.DIODE		
D1356	MA111-X	SI.DIODE		
D1357	RGP10J-5025-T3	SI.DIODE		
D1358	RGP10J-5025-T3	SI.DIODE		
D1359	RGP10J-5025-T3	SI.DIODE		
D1360	MA3075/M-X	ZENER DIODE		
D1401	RGP10J-5025-T3	SI.DIODE		

△ Symbol No.	Part No.	Part Name	Description	Local	△ Symbol No.	Part No.	Part Name	Description	Local
DIODE					IC				
D1402	MTZJ75-T2	ZENER DIODE			IC1130	M52342SP	I.C(MONO-ANA)		
D1405	1N4003-T2	SI.DIODE			IC1351	TDA6107Q/N2	I.C(MONO-ANA)		
D1408	MA111-X	SI.DIODE			IC1401	AN5522	I.C(MONO-ANA)		
D1480	MTZJ4.3A-T2	ZENER DIODE			IC1480	UPC358G2-XE	I.C(MONO-ANA)		
D1521	ERB06-15-F1	SI.DIODE			IC1602	BH3865S	I.C(MONO-ANA)		
D1522	RU3AM-LFC4	SI.DIODE			IC1650	AN5276	I.C(MONO-ANA)		
D1523	RGP10J-5025-T3	SI.DIODE			IC1701	TDA9365N13S0519	I.C(MICRO-COMPO)		
D1541	RGP10J-5025-T3	SI.DIODE			IC1702	AT24C08-21LS	I.C(MEMORY-OTH)	(SERVICE)	
D1550	MA111-X	SI.DIODE			IC1760	GP1U281Q	IFR DETECT UNIT		
D1551	RGP10J-5025-T3	SI.DIODE			IC1801	MM1492AF	I.C(MONO-ANA)		
D1553	RGP10J-5025-T3	SI.DIODE			IC1901	STR-F6707A/F7	I.C(HYBRID)		
D1554	RGP10J-5025-T3	SI.DIODE			IC1951	SE135N	I.C(HYBRID)		
D1592	MA3075/H/-X	ZENER DIODE			IC1972	L88M33T-X	I.C(MONO-ANA)		
D1652-53	MA3330/L/-X	ZENER DIODE			IC1974	BA51W12ST-V5	I.C(MONO-ANA)		
D1682	MA111-X	SI.DIODE			OTHERS				
D1702	MA3024-X	ZENER DIODE			LC30114-001C-H	L.E.D.HOLDER			
D1730-33	MA111-X	SI.DIODE			CM35921-005-H	CDS HOLDER			
D1760	SLR-342VR-T16	L.E.D.			CF1106	QAX0639-001Z	CERAMIC FILTER		
D1770	MA111-X	SI.DIODE			CF1130	QAX0642-001Z	CERAMIC FILTER		
D1771	P1241-04	C.D.S.			△ CP1951	ICP-N75-Y	I.C.PROTECT		
D1806-07	MTZJ12C-T2	ZENER DIODE			△ CP1953	ICP-N38-Y	I.C.PROTECT		
D1901	GSIB460	DIODE			△ F1901	QMF51E2-4R0J4	FUSE		
D1903	MTZJ12C-T2	ZENER DIODE			FC1901	CEMG002-001Z	FUSE CLIP		
D1904	EG01C-T2	SI.DIODE			J1770	QNS0155-001	JACK		
D1906	EG01C-T2	SI.DIODE			J1771	QNN0282-003	PIN JACK		
D1907	MA3300/M/-X	CHIP ZENER DIODE			J1772	QNN0282-002	PIN JACK		
D1908	MTZJ27B-T2	ZENER DIODE			J1773	QNN0282-001	PIN JACK		
D1909	MA111-X	SI.DIODE			J1801	QNN0349-001	PIN JACK		
D1910	NRSA63J-0R0X	MG R	0.0Ω	1/16W J	J1802	QNN0349-002	PIN JACK		
D1911	RGP10J-TS-T3	SI.DIODE			J1803	QNN0348-001	PIN JACK		
D1912	1SS133-T2	SI.DIODE			J1804	QNN0349-001	PIN JACK		
D1914	ERC30-02L38	SI.DIODE			K1951	QQR1214-001Y	FERRITE BEADS		
D1952	ERC30-02L38	SI.DIODE			K1954-55	QQR1214-001Y	FERRITE BEADS		
D1954	RGP30B-F1	SI.DIODE			△ LF1901	QQR0673-004	LINE FILTER		
D1955	1SR35-400A-T2	SI.DIODE			△ LF1902	QQR1035-002	LINE FILTER		
D1956	RU3AM-LFC4	SI.DIODE			△ PC1901	PC123F2	I.C(PH.COUPLER)		
D1958	MTZJ5.1A-T2	ZENER DIODE			△ RY1901	QSK0061-001	RELAY		
D1964	MA3330/L/-X	ZENER DIODE			S1780	QSW0619-003Z	PUSH SWITCH	MENU	
D1965	1SS133-T2	SI.DIODE			S1781	QSW0619-003Z	PUSH SWITCH	CH-	
D1966	MA3068/M/-X	ZENER DIODE			S1782	QSW0619-003Z	PUSH SWITCH	CH+	
D1968-69	MA111-X	SI.DIODE			S1783	QSW0619-003Z	PUSH SWITCH	VOL-	
TRANSISTOR					S1784	QSW0619-003Z	PUSH SWITCH	VOL+	
Q1101	2SC5083/L-P/-T	SI.TRANSISTOR			S1901	QSW0846-001	PUSH SWITCH	POWER	
Q1109	2SA1037AK/QR/-X	SI.TRANSISTOR			SF1101	QAX0663-001	SAW FILTER		
Q1111	2SC2412K/QR/-X	SI.TRANSISTOR			SF1102	QAX0594-001	SAW FILTER		
Q1130	2SA1037AK/QR/-X	SI.TRANSISTOR			SG1301-03	QAF0006-501	ARRESTER		
Q1132	2SC2412K/QR/-X	SI.TRANSISTOR			SG1304	QAF0041-272	ARRESTER		
Q1137	2SC2412K/QR/-X	SI.TRANSISTOR			△ SK1351	CE42446-001	C.R.T.SOCKET		
Q1301-02	2SA1037AK/QR/-X	SI.TRANSISTOR			TH1901	QAD0134-4R5	P.THERMISTOR		
Q1353-55	2SC2412K/QR/-X	SI.TRANSISTOR			TU1001	QAU0251-001	TUNER		
Q1480	2SD1408/OY/-LB	SI.TRANSISTOR			△ VA1901	QAF0052-621	VARIATOR		
Q1521	2SC2655/Y/-T	SI.TRANSISTOR			W1003	QQR1214-001Y	FERRITE BEADS		
Q1522	2SD2634-YD	SI.TRANSISTOR			W1008	NRSA63J-0R0X	MG R	0.0Ω	1/16W J
Q1591	2SA1208/ST/Z1-T	SI.TRANSISTOR			W1010	NRSA63J-0R0X	MG R	0.0Ω	1/16W J
Q1592	DTC124EKA-X	DIGI.TRANSISTOR			W1052	QQR1214-001Y	FERRITE BEADS		
Q1660-61	2SC2412K/QR/-X	SI.TRANSISTOR			W1067	QQR1214-001Y	FERRITE BEADS		
Q1683-84	2SA1037AK/QR/-X	SI.TRANSISTOR			W1071	NRSA63J-0R0X	MG R	0.0Ω	1/16W J
Q1685-86	DTC323TK-X	DIGI.TRANSISTOR			W1096	NRSA63J-0R0X	MG R	0.0Ω	1/16W J
Q1701-02	2SA1037AK/QR/-X	SI.TRANSISTOR			W1107	QQR1214-001Y	FERRITE BEADS		
Q1703	2SC2412K/QR/-X	SI.TRANSISTOR			W1239	NRSA63J-0R0X	MG R	0.0Ω	1/16W J
Q1720	2SA1037AK/QR/-X	SI.TRANSISTOR			W1257	NRSA63J-0R0X	MG R	0.0Ω	1/16W J
Q1770	2SA1037AK/QR/-X	SI.TRANSISTOR			W1293	QQR1214-001Y	FERRITE BEADS		
Q1801-02	DTC323TK-X	DIGI.TRANSISTOR			W1307	NRSA63J-0R0X	MG R	0.0Ω	1/16W J
Q1803	2SA1037AK/QR/-X	SI.TRANSISTOR			W1309	NRSA63J-0R0X	MG R	0.0Ω	1/16W J
Q1804	2SC1740S/QR/-T	SI.TRANSISTOR			W1318	QQR1214-001Y	FERRITE BEADS		
Q1860	2SC2412K/QR/-X	SI.TRANSISTOR			W1321-22	NRSA63J-0R0X	MG R	0.0Ω	1/16W J
Q1861-62	2SA1037AK/QR/-X	SI.TRANSISTOR			W1325-26	NRSA63J-0R0X	MG R	0.0Ω	1/16W J
Q1952-54	2SC2412K/QR/-X	SI.TRANSISTOR			W1330	NRSA63J-0R0X	MG R	0.0Ω	1/16W J
					W1333	NRSA63J-0R0X	MG R	0.0Ω	1/16W J

△ Symbol No.	Part No.	Part Name	Description	Local
OTHERS				
W1375	NRSA63J-0R0X	MG R	0.0Ω 1/16W	J
W1379	NRSA63J-0R0X	MG R	0.0Ω 1/16W	J
W1388	NRSA63J-0R0X	MG R	0.0Ω 1/16W	J
W1418	NRSA63J-0R0X	MG R	0.0Ω 1/16W	J
W1424	QQR1214-001Y	FERRITE BEADS		
W1430	NRSA63J-0R0X	MG R	0.0Ω 1/16W	J
X1701	QAX0688-001	CRYSTAL		
Y1003-04	NRSA63J-0R0X	MG R	0.0Ω 1/16W	J
Y1103	QRE141J-0R0Y	C R	0.0Ω 1/4W	J
Y1130	NRSA63J-0R0X	MG R	0.0Ω 1/16W	J
Y1301-02	NRSA63J-0R0X	MG R	0.0Ω 1/16W	J
Y1601	NRSA63J-0R0X	MG R	0.0Ω 1/16W	J

PRINTED WIRING BOARD PARTS LIST (AV-21L31-PH)

MAIN PW BOARD ASS'Y(SCH-1012A-H2)

△	Symbol No.	Part No.	Part Name	Description	Local	△	Symbol No.	Part No.	Part Name	Description	Local
RESISTOR						RESISTOR					
	R1001-02	NRSA63J-221X	MG R	220Ω 1/16W J			R1543	QRE121J-471Y	C R	470Ω 1/2W J	
	R1003	NRSA63J-392X	MG R	3.9kΩ 1/16W J			R1545	QRE121J-220Y	C R	22Ω 1/2W J	
	R1004	NRSA63J-221X	MG R	220Ω 1/16W J			R1546	QRE121J-822Y	C R	8.2kΩ 1/2W J	
	R1006	NRSA63J-273X	MG R	27kΩ 1/16W J			R1591	QRE121J-222Y	C R	2.2kΩ 1/2W J	
	R1101	NRSA63J-100X	MG R	10Ω 1/16W J			R1592	QRZ0221-2R2	UNF R	2.2Ω	
	R1102	NRSA63J-682X	MG R	6.8kΩ 1/16W J			R1593	NRSA63J-102X	MG R	1kΩ 1/16W J	
	R1103	NRSA63J-272X	MG R	2.7kΩ 1/16W J			R1594	QRE121J-183Y	C R	18kΩ 1/2W J	
	R1104	NRSA63J-181X	MG R	180Ω 1/16W J			R1595	NRSA63J-222X	MG R	2.2kΩ 1/16W J	
	R1105	NRSA63J-220X	MG R	22Ω 1/16W J			R1596	QRE141J-0R0Y	C R	0.0Ω 1/4W J	
	R1106	NRSA63J-101X	MG R	100Ω 1/16W J			R1602	NRSA63J-271X	MG R	270Ω 1/16W J	
	R1107	NRSA63J-472X	MG R	4.7kΩ 1/16W J			R1603-04	NRSA63J-101X	MG R	100Ω 1/16W J	
	R1108-10	NRSA63J-222X	MG R	2.2kΩ 1/16W J			R1605	QRE141J-0R0Y	C R	0.0Ω 1/4W J	
	R1117	NRSA63J-102X	MG R	1kΩ 1/16W J			R1651	NRSA63J-0R0X	MG R	0.0Ω 1/16W J	
	R1119	NRSA63J-102X	MG R	1kΩ 1/16W J			R1652-53	NRSA63J-222X	MG R	2.2kΩ 1/16W J	
	R1120	NRSA63J-471X	MG R	470Ω 1/16W J			R1655	NRSA63J-0R0X	MG R	0.0Ω 1/16W J	
	R1150	NRSA63J-331X	MG R	330Ω 1/16W J			R1658-59	QRE121J-2R2Y	C R	2.2Ω 1/2W J	
	R1151	NRSA63J-222X	MG R	2.2kΩ 1/16W J			R1660	NRSA63J-103X	MG R	10kΩ 1/16W J	
	R1152	NRSA63J-121X	MG R	120Ω 1/16W J			R1661	NRSA63J-683X	MG R	68kΩ 1/16W J	
	R1153	NRSA63J-122X	MG R	1.2kΩ 1/16W J			R1662	NRSA63J-333X	MG R	33kΩ 1/16W J	
	R1154	NRSA63J-181X	MG R	180Ω 1/16W J			R1663	NRSA63J-103X	MG R	10kΩ 1/16W J	
	R1301-02	NRSA63J-222X	MG R	2.2kΩ 1/16W J			R1664	NRSA63J-222X	MG R	2.2kΩ 1/16W J	
	R1303	NRSA63J-562X	MG R	5.6kΩ 1/16W J			R1665-66	QRE141J-561Y	C R	560Ω 1/4W J	
	R1304-05	NRSA63J-222X	MG R	2.2kΩ 1/16W J			R1667	NRSA63J-103X	MG R	10kΩ 1/16W J	
	R1306	NRSA63J-562X	MG R	5.6kΩ 1/16W J			R1668	NRSA63J-683X	MG R	68kΩ 1/16W J	
	R1350-51	NRSA63J-151X	MG R	150Ω 1/16W J			R1669	NRSA63J-563X	MG R	56kΩ 1/16W J	
	R1353	NRSA63J-151X	MG R	150Ω 1/16W J			R1670	NRSA63J-153X	MG R	15kΩ 1/16W J	
	R1354	QRE121J-222Y	C R	2.2kΩ 1/2W J			R1671	NRSA63J-272X	MG R	2.7kΩ 1/16W J	
	R1363	QRZ0107-152Z	C R	1.5kΩ 1/2W K			R1672	NRSA63J-563X	MG R	56kΩ 1/16W J	
	R1364	QRE121J-222Y	C R	2.2kΩ 1/2W J			R1673-74	NRSA63J-683X	MG R	68kΩ 1/16W J	
	R1365	QRZ0107-152Z	C R	1.5kΩ 1/2W K			R1675	NRSA63J-103X	MG R	10kΩ 1/16W J	
	R1366	QRZ0107-474Z	C R	470kΩ 1/2W K			R1676-77	NRSA63J-472X	MG R	4.7kΩ 1/16W J	
	R1368	QRZ0107-152Z	C R	1.5kΩ 1/2W K			R1678	NRSA63J-153X	MG R	15kΩ 1/16W J	
	R1369	QRE121J-222Y	C R	2.2kΩ 1/2W J			R1679	NRSA63J-272X	MG R	2.7kΩ 1/16W J	
	R1373	QRE121J-394Y	C R	390kΩ 1/2W J			R1680	NRSA63J-683X	MG R	68kΩ 1/16W J	
	R1374	QRE121J-124Y	C R	120kΩ 1/2W J			R1688	NRSA63J-273X	MG R	27kΩ 1/16W J	
	R1380-83	NRSA63J-101X	MG R	100Ω 1/16W J			R1690	NRSA63J-104X	MG R	100kΩ 1/16W J	
	R1384	NRSA63J-223X	MG R	22kΩ 1/16W J			R1691	NRSA63J-682X	MG R	6.8kΩ 1/16W J	
	R1401	NRSA63J-224X	MG R	220kΩ 1/16W J			R1692	NRSA63J-104X	MG R	100kΩ 1/16W J	
	R1403	NRSA63J-0R0X	MG R	0.0Ω 1/16W J			R1693	NRSA63J-103X	MG R	10kΩ 1/16W J	
	R1405	NRSA63J-682X	MG R	6.8kΩ 1/16W J			R1696	NRSA63J-222X	MG R	2.2kΩ 1/16W J	
	R1406	NRSA63J-123X	MG R	12kΩ 1/16W J			R1698-99	NRSA63J-104X	MG R	100kΩ 1/16W J	
	R1408	NRSA63J-682X	MG R	6.8kΩ 1/16W J			R1701	NRSA63J-103X	MG R	10kΩ 1/16W J	
	R1409	NRSA02J-184X	MG R	180kΩ 1/10W J			R1702-03	NRSA63J-101X	MG R	100Ω 1/16W J	
	R1410	NRSA63J-123X	MG R	12kΩ 1/16W J			R1704-06	NRSA63J-102X	MG R	1kΩ 1/16W J	
	R1411	QRG01GJ-221	OM R	220Ω 1W J			R1707-10	NRSA63J-472X	MG R	4.7kΩ 1/16W J	
	R1412	QRE121J-1R0Y	C R	1.0Ω 1/2W J			R1711-14	NRSA63J-101X	MG R	100Ω 1/16W J	
	R1413	QRX01GJ-5R6	MF R	5.6Ω 1W J			R1715-17	NRSA63J-103X	MG R	10kΩ 1/16W J	
	R1414	QRE121J-6R8Y	C R	6.8Ω 1/2W J			R1718-19	NRSA63J-221X	MG R	220Ω 1/16W J	
	R1425	NRSA63J-683X	MG R	68kΩ 1/16W J			R1720	NRSA63J-102X	MG R	1kΩ 1/16W J	
	R1480	QRE121J-681Y	C R	680Ω 1/2W J			R1721-24	NRSA63J-221X	MG R	220Ω 1/16W J	
	R1481	NRSA63J-223X	MG R	22kΩ 1/16W J			R1725	NRSA63J-103X	MG R	10kΩ 1/16W J	
	R1482	NRSA63J-562X	MG R	5.6kΩ 1/16W J			R1726	NRSA63J-472X	MG R	4.7kΩ 1/16W J	
	R1483	NRSA63J-823X	MG R	82kΩ 1/16W J			R1727	NRSA63J-104X	MG R	100kΩ 1/16W J	
	R1484-85	NRSA63J-562X	MG R	5.6kΩ 1/16W J			R1728	NRSA63J-103X	MG R	10kΩ 1/16W J	
	R1486	NRSA63J-272X	MG R	2.7kΩ 1/16W J			R1730	NRSA63J-223X	MG R	22kΩ 1/16W J	
	R1487	NRSA63J-333X	MG R	33kΩ 1/16W J			R1731	NRSA63J-101X	MG R	100Ω 1/16W J	
	R1489	NRSA63J-122X	MG R	1.2kΩ 1/16W J			R1732	NRSA02F-393X	MG R	39kΩ 1/10W F	
	R1490	NRSA63J-102X	MG R	1kΩ 1/16W J			R1733	NRSA63J-273X	MG R	27kΩ 1/16W J	
	R1491	NRSA63J-562X	MG R	5.6kΩ 1/16W J			R1734	NRSA63J-391X	MG R	390Ω 1/16W J	
	R1492	NRSA63J-822X	MG R	8.2kΩ 1/16W J			R1735	NRSA63J-104X	MG R	100kΩ 1/16W J	
	R1493	QRE121J-223Y	C R	22kΩ 1/2W J			R1736	NRSA63J-333X	MG R	33kΩ 1/16W J	
	R1494	QRL03EJ-330X	OM R	33Ω 3W J			R1737	NRSA63J-272X	MG R	2.7kΩ 1/16W J	
	R1521	NRSA63J-101X	MG R	100Ω 1/16W J			R1738	NRSA63J-103X	MG R	10kΩ 1/16W J	
	R1522	NRSA63J-102X	MG R	1kΩ 1/16W J			R1739-41	NRSA63J-101X	MG R	100Ω 1/16W J	
	R1524	QRL02EJ-330X	OM R	33Ω 2W J			R1742	NRSA63J-0R0X	MG R	0.0Ω 1/16W J	
	R1526	QRG01GJ-271	OM R	270Ω 1W J			R1743	QRE141J-102Y	C R	1kΩ 1/4W J	
	R1527	QRL03EJ-103X	OM R	10kΩ 3W J			R1744	NRSA63J-561X	MG R	560Ω 1/16W J	
	R1528-29	QRX029J-1R2	MF R	1.2Ω 2W J			R1745	NRSA63J-105X	MG R	1MΩ 1/16W J	
	R1531	NRSA63J-222X	MG R	2.2kΩ 1/16W J			R1746	NRSA63J-333X	MG R	33kΩ 1/16W J	
△	R1532	QRZ9017-4R7	F R	4.7Ω 1/4W J			R1747	NRSA63J-103X	MG R	10kΩ 1/16W J	
△	R1540	QRZ9011-4R7	F R	4.7Ω 1/2W J			R1748-49	NRSA02J-475X	MG R	4.7MΩ 1/10W J	
	R1541-42	QRE121J-154Y	C R	150kΩ 1/2W J			R1750-51	QRE141J-0R0Y	C R	0.0Ω 1/4W J	

△ Symbol No.	Part No.	Part Name	Description	Local
RESISTOR				
R1755-56	NRSA63J-101X	MG R	100Ω 1/16W J	
R1757-58	NRSA63J-222X	MG R	2.2kΩ 1/16W J	
R1760	NRSA63J-682X	MG R	6.8kΩ 1/16W J	
R1770	QRE121J-271Y	C R	270Ω 1/2W J	
R1771	NRSA63J-102X	MG R	1kΩ 1/16W J	
R1772	QRE121J-271Y	C R	270Ω 1/2W J	
R1773	NRSA63J-102X	MG R	1kΩ 1/16W J	
R1775	NRSA63J-332X	MG R	3.3kΩ 1/16W J	
R1776	NRSA63J-392X	MG R	3.9kΩ 1/16W J	
R1777	NRSA63J-682X	MG R	6.8kΩ 1/16W J	
R1779	NRSA63J-272X	MG R	2.7kΩ 1/16W J	
R1780	NRSA63J-471X	MG R	470Ω 1/16W J	
R1781	NRSA63J-122X	MG R	1.2kΩ 1/16W J	
R1782	NRSA63J-181X	MG R	180Ω 1/16W J	
R1783	NRSA63J-221X	MG R	220Ω 1/16W J	
R1784	NRSA63J-331X	MG R	330Ω 1/16W J	
R1785	NRSA63J-471X	MG R	470Ω 1/16W J	
R1803	NRSA63J-333X	MG R	33kΩ 1/16W J	
R1804-05	NRSA63J-750X	MG R	75Ω 1/16W J	
R1808	NRSA63J-823X	MG R	82kΩ 1/16W J	
R1809	NRSA63J-391X	MG R	390Ω 1/16W J	
R1810	NRSA63J-823X	MG R	82kΩ 1/16W J	
R1811	NRSA63J-391X	MG R	390Ω 1/16W J	
R1812	NRSA63J-104X	MG R	100kΩ 1/16W J	
R1813	NRSA63J-222X	MG R	2.2kΩ 1/16W J	
R1815	NRSA63J-101X	MG R	100Ω 1/16W J	
R1818	NRSA63J-222X	MG R	2.2kΩ 1/16W J	
R1820	NRSA63J-101X	MG R	100Ω 1/16W J	
R1821	NRSA63J-222X	MG R	2.2kΩ 1/16W J	
R1823	NRSA63J-101X	MG R	100Ω 1/16W J	
R1824	NRSA63J-222X	MG R	2.2kΩ 1/16W J	
R1826	NRSA63J-101X	MG R	100Ω 1/16W J	
R1829	NRSA63J-750X	MG R	75Ω 1/16W J	
R1830-31	NRSA63J-222X	MG R	2.2kΩ 1/16W J	
R1832	NRSA63J-122X	MG R	1.2kΩ 1/16W J	
R1833	NRSA63J-102X	MG R	1kΩ 1/16W J	
R1834-35	NRSA63J-562X	MG R	5.6kΩ 1/16W J	
R1836	NRSA63J-750X	MG R	75Ω 1/16W J	
R1837	NRSA63J-101X	MG R	100Ω 1/16W J	
R1838	QRK126J-121X	C R	120Ω 1/2W J	
R1839-40	QRE121J-221Y	C R	220Ω 1/2W J	
R1841-42	NRSA63J-0R0X	MG R	0.0Ω 1/16W J	
R1843	NRSA63J-821X	MG R	820Ω 1/16W J	
R1844	NRSA63J-222X	MG R	2.2kΩ 1/16W J	
R1845	NRSA63J-102X	MG R	1kΩ 1/16W J	
R1846	NRSA63J-222X	MG R	2.2kΩ 1/16W J	
R1847	NRSA63J-103X	MG R	10kΩ 1/16W J	
R1848	NRSA63J-471X	MG R	470Ω 1/16W J	
R1849	NRSA63J-221X	MG R	220Ω 1/16W J	
R1880	NRSA63J-202X	MG R	2kΩ 1/16W J	
R1881	NRSA63J-103X	MG R	10kΩ 1/16W J	
R1882	NRSA63J-471X	MG R	470Ω 1/16W J	
R1883	NRSA63J-181X	MG R	180Ω 1/16W J	
R1884-85	QRE141J-750Y	C R	75Ω 1/4W J	
R1902	QRF154K-2R2	UNF R	2.2Ω	K
R1904	QRE121J-681Y	C R	680Ω 1/2W J	
R1905	QRM034J-R22	MP R	0.22Ω 3W J	
R1907	NRSA63J-563X	MG R	56kΩ 1/16W J	
R1908	QRL039J-333	OM R	33kΩ 3W J	
R1909	QRE121J-474Y	C R	470kΩ 1/2W J	
R1910	QRE121J-392Y	C R	3.9kΩ 1/2W J	
R1911	QRE121J-332Y	C R	3.3kΩ 1/2W J	
R1912	NRSA63J-182X	MG R	1.8kΩ 1/16W J	
△ R1915	QRZ0111-474	C R	470kΩ 1/2W K	
R1952	NRSA63J-332X	MG R	3.3kΩ 1/16W J	
R1953	NRSA63J-101X	MG R	100Ω 1/16W J	
R1954	QRE121J-560Y	C R	56Ω 1/2W J	
R1955	QRG01GJ-330	OM R	33Ω 1W J	
R1956	QRE121J-100Y	C R	10Ω 1/2W J	
R1957	QRE121J-6R8Y	C R	6.8Ω 1/2W J	
R1960	NRSA63J-391X	MG R	390Ω 1/16W J	
R1961	QRL02EJ-223X	OM R	22kΩ 2W J	

△ Symbol No.	Part No.	Part Name	Description	Local
RESISTOR				
R1962	NRSA63J-561X	MG R	560Ω 1/16W J	
R1963	QRE121J-103Y	C R	10kΩ 1/2W J	
R1964	NRSA63J-473X	MG R	47kΩ 1/16W J	
R1965	NRSA63J-0R0X	MG R	0.0Ω 1/16W J	
R1966	NRSA63J-682X	MG R	6.8kΩ 1/16W J	
R1967	NRSA63J-473X	MG R	47kΩ 1/16W J	
R1970	NRSA63J-153X	MG R	15kΩ 1/16W J	
R1971	NRSA63J-183X	MG R	18kΩ 1/16W J	
△ R1991	QRZ0057-825	C R	8.2MΩ 1W J	
CAPACITOR				
C1001	NCB31HK-103X	C CAP.	0.01μF 50V K	
C1002	QETN1HM-106Z	E CAP.	10μF 50V M	
C1003	QFV71HJ-104Z	MF CAP.	0.1μF 50V J	
C1004	QETN1CM-477Z	E CAP.	470pF 16V M	
C1005	NCB31HK-222X	C CAP.	2200pF 50V K	
C1006	QETN1CM-336Z	E CAP.	33μF 16V M	
C1007	NCB31HK-103X	C CAP.	0.01μF 50V K	
C1101-04	NCB31HK-472X	C CAP.	4700pF 50V K	
C1106-07	NCB31HK-103X	C CAP.	0.01μF 50V K	
C1109	QETN1HM-106Z	E CAP.	10μF 50V M	
C1150-51	NCB31HK-472X	C CAP.	4700pF 50V K	
C1308	NCB31HK-103X	C CAP.	0.01μF 50V K	
C1352	QFK62EK-104Z	MM CAP.	0.1μF 250V K	
C1353	QETN2EM-475Z	E CAP.	4.7μF 250V M	
C1354	QCZ0131-222	C CAP.	2200pF 2000V K	
C1355	QCZ0131-472	C CAP.	4700pF 2000V K	
C1357	NDC31HJ-101X	C CAP.	100pF 50V J	
C1358	QETN1CM-477Z	E CAP.	470pF 16V M	
C1401	QETN1HM-105Z	E CAP.	1μF 50V M	
C1402	QCB31HK-682Z	C CAP.	6800pF 50V K	
C1403	QEHR1VM-227Z	E CAP.	220pF 35V M	
C1406	QFLC2AJ-683Z	M CAP.	0.068μF 100V J	
C1408	QFV71HJ-184Z	MF CAP.	0.18μF 50V J	
C1411-12	NCF21HZ-334X	C CAP.	0.33μF 50V Z	
C1413	QFLC2AJ-563Z	M CAP.	0.056μF 100V J	
C1422	QEQ1VM-108	E CAP.	1000pF 35V M	
C1480	QETN1HM-106Z	E CAP.	10μF 50V M	
C1483	QEZ0195-475Z	E CAP.	4.7μF 50V M	
C1485	QETN1HM-226Z	E CAP.	22μF 50V M	
C1521	QETN1VM-476Z	E CAP.	47μF 35V M	
C1522	QFLC1HJ-332Z	M CAP.	3300pF 50V J	
C1523	QFLC1HJ-223Z	M CAP.	0.022μF 50V J	
C1524	QFZ0196-602	MPP CAP.	6000pF 1.5kVH ±3%	
C1525	QFZ0196-472	MPP CAP.	4700pF 1.5kVH ±3%	
C1526	QFP32GJ-183	PP CAP.	0.018μF 400V J	
C1527-28	QFZ0199-154	MPP CAP.	0.15μF 250V J	
C1529	QEHR2EM-475Z	E CAP.	4.7μF 250V M	
C1530	QCB32HK-561Z	C CAP.	560pF 500V K	
C1531	QEHR1EM-108Z	E CAP.	1000pF 25V M	
C1533	QEHR1EM-108Z	E CAP.	1000pF 25V M	
C1535	QCB32HK-101Z	C CAP.	100pF 500V K	
C1536	QFLC1HJ-103Z	M CAP.	0.01μF 50V J	
C1540	QFV71HJ-104Z	MF CAP.	0.1μF 50V J	
C1541	QETN2EM-106Z	E CAP.	10μF 250V M	
C1550	NCB31CK-104X	C CAP.	0.1μF 16V K	
C1591	QETN1AM-107Z	E CAP.	100pF 10V M	
C1592	QEZ0203-107	E CAP.	100pF 160V M	
C1593	QETN1EM-476Z	E CAP.	47μF 25V M	
C1602	NCB31HK-103X	C CAP.	0.01μF 50V K	
C1603	QETN1CM-107Z	E CAP.	100pF 16V M	
C1604	NCB31CK-104X	C CAP.	0.1μF 16V K	
C1606-07	NDC31HJ-2R0X	C CAP.	2.0pF 50V J	
C1608-09	NCB31HK-103X	C CAP.	0.01μF 50V K	
C1610	QETN1HM-106Z	E CAP.	10μF 50V M	
C1611	NCB31CK-104X	C CAP.	0.1μF 16V K	
C1612	QETN1HM-106Z	E CAP.	10μF 50V M	
C1613	NCB31CK-104X	C CAP.	0.1μF 16V K	
C1615	QETN1HM-106Z	E CAP.	10μF 50V M	

△ Symbol No.	Part No.	Part Name	Description	Local
CAPACITOR				
C1616	NCB31CK-104X	C CAP.	0.1μF 16V	K
C1617	QETN1HM-106Z	E CAP.	10μF 50V	M
C1619	NCB31CK-104X	C CAP.	0.1μF 16V	K
C1620	QETN1HM-106Z	E CAP.	10μF 50V	M
C1621-22	NCB31HK-102X	C CAP.	1000pF 50V	K
C1623-24	NCF31AZ-105X	C CAP.	1μF 10V	Z
C1650	QEHR1HM-106Z	E CAP.	10μF 50V	M
C1651	QEHR1HM-107Z	E CAP.	100μF 50V	M
C1652	QETN1HM-106Z	E CAP.	10μF 50V	M
C1655-56	QEHQ1VM-108	E CAP.	1000μF 35V	M
C1659-61	NCF21HZ-224X	C CAP.	0.22μF 50V	Z
C1662	QEHR1HM-106Z	E CAP.	10μF 50V	M
C1663	NCF21HZ-224X	C CAP.	0.22μF 50V	Z
C1665	NCB31CK-104X	C CAP.	0.1μF 16V	K
C1666-67	QFLC1HJ-153Z	M CAP.	0.015μF 50V	J
C1668-69	NCB31CK-104X	C CAP.	0.1μF 16V	K
C1670	NCB31HK-223X	C CAP.	0.022μF 50V	K
C1671	QETN1CM-476Z	E CAP.	47μF 16V	M
C1672	NCB31HK-473X	C CAP.	0.047μF 50V	K
C1673	QETN1CM-336Z	E CAP.	33μF 16V	M
C1674	NCB31CK-104X	C CAP.	0.1μF 16V	K
C1675	NCB31HK-473X	C CAP.	0.047μF 50V	K
C1676	NCB31HK-223X	C CAP.	0.022μF 50V	K
C1681-82	QETN1CM-227Z	E CAP.	220μF 16V	M
C1683	QETN1CM-336Z	E CAP.	33μF 16V	M
C1684	QETN1HM-106Z	E CAP.	10μF 50V	M
C1685-86	NCF31AZ-105X	C CAP.	1μF 10V	Z
C1702	QETN1HM-106Z	E CAP.	10μF 50V	M
C1703-04	NDC31HJ-220X	C CAP.	22pF 50V	J
C1706	NCB21EK-224X	C CAP.	0.22μF 25V	K
C1707	QETN1CM-107Z	E CAP.	100μF 16V	M
C1709	QETN1CM-107Z	E CAP.	100μF 16V	M
C1710	NCB21EK-224X	C CAP.	0.22μF 25V	K
C1711	NCB31CK-104X	C CAP.	0.1μF 16V	K
C1713	NCB31CK-104X	C CAP.	0.1μF 16V	K
C1714	QETN1CM-476Z	E CAP.	47μF 16V	M
C1720	QETN1CM-476Z	E CAP.	47μF 16V	M
C1725	NCB31HK-681X	C CAP.	680pF 50V	K
C1730-31	NCB21EK-224X	C CAP.	0.22μF 25V	K
C1732	QETN1CM-107Z	E CAP.	100μF 16V	M
C1733	NCB31CK-104X	C CAP.	0.1μF 16V	K
C1734-35	NCB31HK-222X	C CAP.	2200pF 50V	K
C1736-37	QETN1HM-105Z	E CAP.	1μF 50V	M
C1738	NCB31CK-104X	C CAP.	0.1μF 16V	K
C1739	NFV41CJ-104X	MPP CAP.	0.1μF 16V	J
C1740	QETN1HM-225Z	E CAP.	2.2μF 50V	M
C1741-42	NCB31CK-104X	C CAP.	0.1μF 16V	K
C1743	QETN1CM-107Z	E CAP.	100μF 16V	M
C1744	NCB21HK-102X	C CAP.	1000pF 50V	K
C1745-47	NCB31EK-473X	C CAP.	0.047μF 25V	K
C1749	QETN1HM-106Z	E CAP.	10μF 50V	M
C1751-53	NCB31CK-104X	C CAP.	0.1μF 16V	K
C1760	NCB21EK-104X	C CAP.	0.1μF 25V	K
C1761	QETN1CM-107Z	E CAP.	100μF 16V	M
C1770	QETN1HM-106Z	E CAP.	10μF 50V	M
C1801-04	QETN1HM-106Z	E CAP.	10μF 50V	M
C1805	QFLC1HJ-104Z	M CAP.	0.1μF 50V	J
C1807-08	NCF31AZ-105X	C CAP.	1μF 10V	Z
C1810	NCF31AZ-105X	C CAP.	1μF 10V	Z
C1811	QFLC1HJ-104Z	M CAP.	0.1μF 50V	J
C1812	NCF31AZ-105X	C CAP.	1μF 10V	Z
C1813	NCB31HK-103X	C CAP.	0.01μF 50V	K
C1814	QFLC1HJ-104Z	M CAP.	0.1μF 50V	J
C1815	NCF31AZ-105X	C CAP.	1μF 10V	Z
C1817	NCF31AZ-105X	C CAP.	1μF 10V	Z
C1819	QFLC1HJ-104Z	M CAP.	0.1μF 50V	J
C1820-21	NCF31AZ-105X	C CAP.	1μF 10V	Z
C1822	QETN1CM-477Z	E CAP.	470μF 16V	M
C1823-24	QETN1CM-107Z	E CAP.	100μF 16V	M
C1825	NCB31HK-103X	C CAP.	0.01μF 50V	K
C1826	QFLC1HJ-104Z	M CAP.	0.1μF 50V	J
C1827	NCB31HK-103X	C CAP.	0.01μF 50V	K

△ Symbol No.	Part No.	Part Name	Description	Local
CAPACITOR				
C1829-31	NCB31HK-103X	C CAP.	0.01μF 50V	K
C1833	QETN1HM-226Z	E CAP.	22μF 50V	M
C1834	NDC31HJ-181X	C CAP.	180pF 50V	J
△ C1901	QFZ9073-104	MF CAP.	0.1μF	
△ C1902	QFZ9073-473	MF CAP.	0.047μF	
△ C1903-05	QCZ9015-102Z	C CAP.	1000pF	250V Z
△ C1906	QFZ9073-224	MF CAP.	0.22μF	
C1907	QEZ0199-227	E CAP.	220μF	400V M
C1908	QCZ0325-222	C CAP.	2200pF	2000V K
C1910	NDC21HJ-471X	C CAP.	470pF	50V J
C1911	QEHR1EM-227Z	E CAP.	220μF	25V M
C1914	QETN1EM-227Z	E CAP.	220μF	25V M
C1915	QFLC1HJ-222Z	M CAP.	2200pF	50V J
C1952	QCB32HK-471Z	C CAP.	470pF	500V K
C1953	QEHR1VM-108Z	E CAP.	1000μF	35V M
C1954	NCB31HK-102X	C CAP.	1000pF	50V K
C1957	QCB32HK-471Z	C CAP.	470pF	500V K
C1958	QEHQ1EM-108	E CAP.	1000μF	25V M
C1959	QCZ0364-561	C CAP.	560pF	
C1960	QEZ0203-107	E CAP.	100μF	160V M
C1962	QETN1HM-106Z	E CAP.	10μF	50V M
C1963	QETN1CM-476Z	E CAP.	47μF	16V M
C1964	QEHR1VM-476Z	E CAP.	47μF	35V M
C1968	NCB31CK-104X	C CAP.	0.1μF	16V K
C1972	QEHR1VM-476Z	E CAP.	47μF	35V M
C1973	QEHR1CM-107Z	E CAP.	100μF	16V M
C1974	NCB31CK-104X	C CAP.	0.1μF	16V K
C1975	QEHR1CM-227Z	E CAP.	220μF	16V M
C1976	QEHR1CM-107Z	E CAP.	100μF	16V M
C1977	QEHR1VM-476Z	E CAP.	47μF	35V M
C1978	NCB21HK-104X	C CAP.	0.1μF	50V K
C1980	QETN1CM-107Z	E CAP.	100μF	16V M
△ C1991-93	QCZ9079-102	C CAP.	1000pF	250V M
TRANSFORMER				
T1521	CE40203-00CJ1	DRIVE TRANSF.		
△ T1551	QQH0104-001	H.V.TRANSF.		
△ T1901	QQS0117-001	SWTICH.TRANSF.		
COIL				
L1001-02	QQL244K-8R2Z	COIL	8.2μH	K
L1101	QQL244J-5R6Z	COIL	5.6μH	J
L1104	QQL244K-180Z	COIL	18μH	K
L1351	QQL03BJ-5R6Z	COIL	5.6μH	J
L1480	QQLZ016-821	CHOKE COIL	820μH	
L1523	QQR1005-002	LINIARITY COIL		
L1524	QQLZ034-430	HEATER CHOKE	43μH	
L1601	QQL244K-4R7Z	COIL	4.7μH	K
L1602	QRN143J-0R0X	C R	0.0Ω	1/4W J
L1701-02	QQL244K-100Z	COIL	10μH	K
L1731	QQL244J-5R6Z	COIL	5.6μH	J
L1951	QQLZ034-460	CHOKE COIL	46μH	
L1953-54	QQL244J-5R6Z	COIL	5.6μH	J
DIODE				
D1101	DAN235K-X	SI.DIODE		
D1351	MA111-X	SI.DIODE		
D1356	MA111-X	SI.DIODE		
D1357	RGP10J-5025-T3	SI.DIODE		
D1358	RGP10J-5025-T3	SI.DIODE		
D1359	RGP10J-5025-T3	SI.DIODE		
D1360	MA3075/M-X	ZENER DIODE		
D1401	RGP10J-5025-T3	SI.DIODE		
D1402	MTZJ75-T2	ZENER DIODE		
D1405	1N4003-T2	SI.DIODE		

AV-21L31

△ Symbol No.	Part No.	Part Name	Description	Local
DIODE				
D1408	MA111-X	SI.DIODE		
D1480	MTZJ4.3A-T2	ZENER DIODE		
D1521	ERB06-15-F1	SI.DIODE		
D1522	RU3AM-LFC4	SI.DIODE		
D1523	RGP10J-5025-T3	SI.DIODE		
D1541	RGP10J-5025-T3	SI.DIODE		
D1550	MA111-X	SI.DIODE		
D1551	RGP10J-5025-T3	SI.DIODE		
D1553	RGP10J-5025-T3	SI.DIODE		
D1554	RGP10J-5025-T3	SI.DIODE		
D1592	MA3075/H-X	ZENER DIODE		
D1652-53	MA3330/L-X	ZENER DIODE		
D1682	MA111-X	SI.DIODE		
D1702	MA3024-X	ZENER DIODE		
D1730-33	MA111-X	SI.DIODE		
D1760	SLR-342VR-T16	L.E.D.		
D1770	MA111-X	SI.DIODE		
D1771	P1241-04	C.D.S.		
D1806-07	MTZJ12C-T2	ZENER DIODE		
D1901	GSIB460	DIODE		
D1903	MTZJ12C-T2	ZENER DIODE		
D1904	EG01C-T2	SI.DIODE		
D1906	EG01C-T2	SI.DIODE		
D1907	MA3300/M-X	CHIP ZENER DIODE		
D1908	MTZJ27B-T2	ZENER DIODE		
D1909	MA111-X	SI.DIODE		
D1910	NRSA63J-0R0X	MG R	0.0Ω 1/16W J	
D1911	RGP10J-TS-T3	SI.DIODE		
D1912	1SS133-T2	SI.DIODE		
D1914	ERC30-02L38	SI.DIODE		
D1952	ERC30-02L38	SI.DIODE		
D1954	RGP30B-F1	SI.DIODE		
D1955	1SR35-400A-T2	SI.DIODE		
D1956	RU3AM-LFC4	SI.DIODE		
D1958	MTZJ5.1A-T2	ZENER DIODE		
D1964	MA3330/L-X	ZENER DIODE		
D1965	1SS133-T2	SI.DIODE		
D1966	MA3068/M-X	ZENER DIODE		
D1968-69	MA111-X	SI.DIODE		

TRANSISTOR

Q1101	2SC5083/L-P/T	SI.TRANSISTOR		
Q1109	2SA1037AK/QR/-X	SI.TRANSISTOR		
Q1111	2SC2412K/QR/-X	SI.TRANSISTOR		
Q1150	2SC2412K/QR/-X	SI.TRANSISTOR		
Q1301-02	2SA1037AK/QR/-X	SI.TRANSISTOR		
Q1353-55	2SC2412K/QR/-X	SI.TRANSISTOR		
Q1480	2SD1408/OY/-LB	SI.TRANSISTOR		
Q1521	2SC2655/Y/-T	SI.TRANSISTOR		
Q1522	2SD2634-YD	SI.TRANSISTOR		
Q1591	2SA1208/ST/Z1-T	SI.TRANSISTOR		
Q1592	DTC124EKA-X	DIGI.TRANSISTOR		
Q1660-61	2SC2412K/QR/-X	SI.TRANSISTOR		
Q1683-84	2SA1037AK/QR/-X	SI.TRANSISTOR		
Q1685-86	DTC323TK-X	DIGI.TRANSISTOR		
Q1687	2SC2412K/QR/-X	SI.TRANSISTOR		
Q1701-02	2SA1037AK/QR/-X	SI.TRANSISTOR		
Q1703	2SC2412K/QR/-X	SI.TRANSISTOR		
Q1720	2SA1037AK/QR/-X	SI.TRANSISTOR		
Q1770	2SA1037AK/QR/-X	SI.TRANSISTOR		
Q1801-02	DTC323TK-X	DIGI.TRANSISTOR		
Q1803	2SA1037AK/QR/-X	SI.TRANSISTOR		
Q1804	2SC1740S/QR/-T	SI.TRANSISTOR		
Q1860	2SC2412K/QR/-X	SI.TRANSISTOR		
Q1861-62	2SA1037AK/QR/-X	SI.TRANSISTOR		
Q1952-54	2SC2412K/QR/-X	SI.TRANSISTOR		

△ Symbol No.	Part No.	Part Name	Description	Local
IC				
IC1351	TDA6107Q/N2	I.C(MONO-ANA)		
IC1401	AN5522	I.C(MONO-ANA)		
IC1480	UPC358G2-XE	I.C(MONO-ANA)		
IC1601	MSP3445G-QG-B8	I.C		
IC1650	AN5276	I.C(MONO-ANA)		
IC1665	BA4558F-X	I.C(MONO-ANA)		
IC1701	TDA9365N13S0519	I.C(MICRO-COMPO)		
IC1702	AT24C08-21LS	I.C(MEMORY-OTH)	(SERVICE)	
IC1760	GP1U281Q	IFR DETECT UNIT		
IC1801	MM1492AF	I.C(MONO-ANA)		
IC1901	STR-F6707A/F7	I.C(HYBRID)		
IC1951	SE135N	I.C(HYBRID)		
IC1972	L88M33T-X	I.C(MONO-ANA)		
IC1974	BA51W12ST-V5	I.C(MONO-ANA)		
OTHERS				
	LC30114-001C-H	L.E.D.HOLDER		
	CM35921-005-H	CDS HOLDER		
	QAX0639-001Z	CERAMIC FILTER		
△ CP1951	ICP-N75-Y	I.C.PROTECT		
△ CP1953	ICP-N38-Y	I.C.PROTECT		
△ F1901	QMF51E2-4R0J4	FUSE		
FC1901	CEMG002-001Z	FUSE CLIP		
J1770	QNS0155-001	JACK		
J1771	QNN0282-003	PIN JACK		
J1772	QNN0282-002	PIN JACK		
J1773	QNN0282-001	PIN JACK		
J1801	QNN0349-001	PIN JACK		
J1802	QNN0349-002	PIN JACK		
J1803	QNN0348-001	PIN JACK		
J1804	QNN0349-001	PIN JACK		
K1951	QQR1214-001Y	FERRITE BEADS		
K1954-55	QQR1214-001Y	FERRITE BEADS		
LC1601	CE42482-103Y	EMI FILTER		
△ LF1901	QQR0673-004	LINE FILTER		
△ LF1902	QQR1035-002	LINE FILTER		
△ PC1901	PC123F2	I.C(PH.COUPLER)		
△ RY1901	QSK0061-001	RELAY		
S1780	QSW0619-003Z	PUSH SWITCH	MENU	
S1781	QSW0619-003Z	PUSH SWITCH	CH-	
S1782	QSW0619-003Z	PUSH SWITCH	CH+	
S1783	QSW0619-003Z	PUSH SWITCH	VOL-	
S1784	QSW0619-003Z	PUSH SWITCH	VOL+	
△ S1901	QSW0846-001	PUSH SWITCH	POWER	
SF1101	QAX0663-001	SAW FILTER		
SF1102	QAX0594-001	SAW FILTER		
SG1301-03	QAF0006-501	ARRESTER		
SG1304	QAF0041-272	ARRESTER		
△ SK1351	CE42446-001	C.R.T.SOCKET		
TH1901	QAD0134-4R5	P.THERMISTOR		
TU1001	QAU0251-001	TUNER		
△ VA1901	QAF0052-621	VARIATOR		
W1003	QQR1214-001Y	FERRITE BEADS		
W1008	NRSA63J-0R0X	MG R	0.0Ω 1/16W J	
W1010	NRSA63J-0R0X	MG R	0.0Ω 1/16W J	
W1052	QQR1214-001Y	FERRITE BEADS		
W1067	QQR1214-001Y	FERRITE BEADS		
W1071	NRSA63J-0R0X	MG R	0.0Ω 1/16W J	
W1096	NRSA63J-0R0X	MG R	0.0Ω 1/16W J	
W1107	QQR1214-001Y	FERRITE BEADS		
W1239	NRSA63J-0R0X	MG R	0.0Ω 1/16W J	
W1257	NRSA63J-0R0X	MG R	0.0Ω 1/16W J	
W1293	QQR1214-001Y	FERRITE BEADS		
W1307	NRSA63J-0R0X	MG R	0.0Ω 1/16W J	
W1309	NRSA63J-0R0X	MG R	0.0Ω 1/16W J	
W1318	QQR1214-001Y	FERRITE BEADS		
W1321-22	NRSA63J-0R0X	MG R	0.0Ω 1/16W J	
W1325-26	NRSA63J-0R0X	MG R	0.0Ω 1/16W J	
W1330	NRSA63J-0R0X	MG R	0.0Ω 1/16W J	
W1333	NRSA63J-0R0X	MG R	0.0Ω 1/16W J	
W1375	NRSA63J-0R0X	MG R	0.0Ω 1/16W J	

△ Symbol No.	Part No.	Part Name	Description	Local
OTHERS				
W1379	NRSA63J-0R0X	MG R	0.0Ω 1/16W	J
W1388	NRSA63J-0R0X	MG R	0.0Ω 1/16W	J
W1418	NRSA63J-0R0X	MG R	0.0Ω 1/16W	J
W1420	NRSA63J-0R0X	MG R	0.0Ω 1/16W	J
W1424	QQR1214-001Y	FERRITE BEADS		
W1430	NRSA63J-0R0X	MG R	0.0Ω 1/16W	J
X1601	CE42546-001Z	CRYSTAL		
X1701	QAX0688-001	CRYSTAL		
Y1004	NRSA63J-0R0X	MG R	0.0Ω 1/16W	J
Y1103	QRE141J-0R0Y	C R	0.0Ω 1/4W	J
Y1301-02	NRSA63J-0R0X	MG R	0.0Ω 1/16W	J
Y1602	NRSA63J-0R0X	MG R	0.0Ω 1/16W	J
Y1604	NRSA63J-0R0X	MG R	0.0Ω 1/16W	J

PRINTED WIRING BOARD PARTS LIST (AV-25L31-PH)**MAIN PW BOARD ASS'Y(SCH-1013A-H2)**

△	Symbol No.	Part No.	Part Name	Description	Local	△	Symbol No.	Part No.	Part Name	Description	Local
RESISTOR						RESISTOR					
	R1001-02	NRSA63J-221X	MG R	220Ω 1/16W	J		R1546	QRE121J-822Y	C R	8.2kΩ 1/2W	J
	R1003	NRSA63J-392X	MG R	3.9kΩ 1/16W	J		R1591	QRE121J-472Y	C R	4.7kΩ 1/2W	J
	R1004	NRSA63J-221X	MG R	220Ω 1/16W	J		R1592	QRZ0221-3R9	UNF R	3.9Ω	
	R1006	NRSA63J-273X	MG R	27kΩ 1/16W	J		R1593	NRSA63J-821X	MG R	820Ω 1/16W	J
	R1101	NRSA63J-100X	MG R	10Ω 1/16W	J		R1594	QRE121J-183Y	C R	18kΩ 1/2W	J
	R1102	NRSA63J-682X	MG R	6.8kΩ 1/16W	J		R1595	NRSA63J-222X	MG R	2.2kΩ 1/16W	J
	R1103	NRSA63J-272X	MG R	2.7kΩ 1/16W	J		R1602	NRSA63J-271X	MG R	270Ω 1/16W	J
	R1104	NRSA63J-181X	MG R	180Ω 1/16W	J		R1603-04	NRSA63J-101X	MG R	100Ω 1/16W	J
	R1105	NRSA63J-220X	MG R	22Ω 1/16W	J		R1605	QRE141J-0R0Y	C R	0.0Ω 1/4W	J
	R1106	NRSA63J-101X	MG R	100Ω 1/16W	J		R1651	NRSA63J-0R0X	MG R	0.0Ω 1/16W	J
	R1107	NRSA63J-472X	MG R	4.7kΩ 1/16W	J		R1652-53	NRSA63J-222X	MG R	2.2kΩ 1/16W	J
	R1108-10	NRSA63J-222X	MG R	2.2kΩ 1/16W	J		R1655	NRSA63J-0R0X	MG R	0.0Ω 1/16W	J
	R1117	NRSA63J-102X	MG R	1kΩ 1/16W	J		R1658-59	QRE121J-2R2Y	C R	2.2Ω 1/2W	J
	R1119	NRSA63J-102X	MG R	1kΩ 1/16W	J		R1660	NRSA63J-103X	MG R	10kΩ 1/16W	J
	R1120	NRSA63J-471X	MG R	470Ω 1/16W	J		R1661	NRSA63J-683X	MG R	68kΩ 1/16W	J
	R1150	NRSA63J-331X	MG R	330Ω 1/16W	J		R1662	NRSA63J-333X	MG R	33kΩ 1/16W	J
	R1151	NRSA63J-222X	MG R	2.2kΩ 1/16W	J		R1663	NRSA63J-103X	MG R	10kΩ 1/16W	J
	R1152	NRSA63J-121X	MG R	120Ω 1/16W	J		R1664	NRSA63J-222X	MG R	2.2kΩ 1/16W	J
	R1153	NRSA63J-122X	MG R	1.2kΩ 1/16W	J		R1665-66	QRE141J-561Y	C R	560Ω 1/4W	J
	R1154	NRSA63J-181X	MG R	180Ω 1/16W	J		R1667	NRSA63J-103X	MG R	10kΩ 1/16W	J
	R1301-02	NRSA63J-222X	MG R	2.2kΩ 1/16W	J		R1668	NRSA63J-683X	MG R	68kΩ 1/16W	J
	R1303	NRSA63J-562X	MG R	5.6kΩ 1/16W	J		R1669	NRSA63J-563X	MG R	56kΩ 1/16W	J
	R1304-05	NRSA63J-222X	MG R	2.2kΩ 1/16W	J		R1670	NRSA63J-153X	MG R	15kΩ 1/16W	J
	R1306	NRSA63J-562X	MG R	5.6kΩ 1/16W	J		R1671	NRSA63J-272X	MG R	2.7kΩ 1/16W	J
	R1350-51	NRSA63J-151X	MG R	150Ω 1/16W	J		R1672	NRSA63J-563X	MG R	56kΩ 1/16W	J
	R1353	NRSA63J-151X	MG R	150Ω 1/16W	J		R1673-74	NRSA63J-683X	MG R	68kΩ 1/16W	J
	R1354	QRE121J-182Y	C R	1.8kΩ 1/2W	J		R1675	NRSA63J-103X	MG R	10kΩ 1/16W	J
	R1363	QRZ0107-152Z	C R	1.5kΩ 1/2W	K		R1676-77	NRSA63J-472X	MG R	4.7kΩ 1/16W	J
	R1364	QRE121J-182Y	C R	1.8kΩ 1/2W	J		R1678	NRSA63J-153X	MG R	15kΩ 1/16W	J
	R1365	QRZ0107-152Z	C R	1.5kΩ 1/2W	K		R1679	NRSA63J-272X	MG R	2.7kΩ 1/16W	J
	R1366	QRZ0107-474Z	C R	470kΩ 1/2W	K		R1680	NRSA63J-683X	MG R	68kΩ 1/16W	J
	R1368	QRZ0107-152Z	C R	1.5kΩ 1/2W	K		R1688	NRSA63J-273X	MG R	27kΩ 1/16W	J
	R1369	QRE121J-182Y	C R	1.8kΩ 1/2W	J		R1690	NRSA63J-104X	MG R	100kΩ 1/16W	J
	R1373-74	QRE121J-124Y	C R	120kΩ 1/2W	J		R1691	NRSA63J-682X	MG R	6.8kΩ 1/16W	J
	R1380-83	NRSA63J-101X	MG R	100Ω 1/16W	J		R1692	NRSA63J-104X	MG R	100kΩ 1/16W	J
	R1384	NRSA63J-223X	MG R	22kΩ 1/16W	J		R1693	NRSA63J-103X	MG R	10kΩ 1/16W	J
	R1401	NRSA63J-224X	MG R	220kΩ 1/16W	J		R1696	NRSA63J-222X	MG R	2.2kΩ 1/16W	J
	R1403	NRSA63J-0R0X	MG R	0.0Ω 1/16W	J		R1698-99	NRSA63J-104X	MG R	100kΩ 1/16W	J
	R1405	NRSA63J-682X	MG R	6.8kΩ 1/16W	J		R1701	NRSA63J-103X	MG R	10kΩ 1/16W	J
	R1406	NRSA63J-123X	MG R	12kΩ 1/16W	J		R1702-03	NRSA63J-101X	MG R	100Ω 1/16W	J
	R1408	NRSA63J-682X	MG R	6.8kΩ 1/16W	J		R1704-06	NRSA63J-102X	MG R	1kΩ 1/16W	J
	R1410	NRSA63J-123X	MG R	12kΩ 1/16W	J		R1707-10	NRSA63J-472X	MG R	4.7kΩ 1/16W	J
	R1411	QRG01GJ-221	OM R	220Ω 1W	J		R1711-14	NRSA63J-101X	MG R	100Ω 1/16W	J
	R1412	QRE121J-1R0Y	C R	1.0Ω 1/2W	J		R1715-17	NRSA63J-103X	MG R	10kΩ 1/16W	J
	R1413	QRX01GJ-2R7	MFR	2.7Ω 1W	J		R1718-19	NRSA63J-221X	MG R	220Ω 1/16W	J
	R1414	QRE121J-120Y	C R	12Ω 1/2W	J		R1720	NRSA63J-102X	MG R	1kΩ 1/16W	J
	R1425	NRSA63J-683X	MG R	68kΩ 1/16W	J		R1721-24	NRSA63J-221X	MG R	220Ω 1/16W	J
	R1480	QRE121J-681Y	C R	680Ω 1/2W	J		R1725	NRSA63J-103X	MG R	10kΩ 1/16W	J
	R1481	NRSA63J-223X	MG R	22kΩ 1/16W	J		R1726	NRSA63J-472X	MG R	4.7kΩ 1/16W	J
	R1482	NRSA63J-562X	MG R	5.6kΩ 1/16W	J		R1727	NRSA63J-104X	MG R	100kΩ 1/16W	J
	R1483	NRSA63J-823X	MG R	82kΩ 1/16W	J		R1728	NRSA63J-103X	MG R	10kΩ 1/16W	J
	R1484-85	NRSA63J-562X	MG R	5.6kΩ 1/16W	J		R1730	NRSA63J-223X	MG R	22kΩ 1/16W	J
	R1486	NRSA63J-272X	MG R	2.7kΩ 1/16W	J		R1731	NRSA63J-101X	MG R	100Ω 1/16W	J
	R1487	NRSA63J-333X	MG R	33kΩ 1/16W	J		R1732	NRSA02F-393X	MG R	39kΩ 1/10W	F
	R1489	NRSA63J-122X	MG R	1.2kΩ 1/16W	J		R1733	NRSA63J-273X	MG R	27kΩ 1/16W	J
	R1490	NRSA63J-102X	MG R	1kΩ 1/16W	J		R1734	NRSA63J-391X	MG R	390Ω 1/16W	J
	R1491	NRSA63J-562X	MG R	5.6kΩ 1/16W	J		R1735	NRSA63J-104X	MG R	100kΩ 1/16W	J
	R1492	NRSA63J-822X	MG R	8.2kΩ 1/16W	J		R1736	NRSA63J-333X	MG R	33kΩ 1/16W	J
	R1493	QRE121J-333Y	C R	33kΩ 1/2W	J		R1737	NRSA63J-272X	MG R	2.7kΩ 1/16W	J
	R1494	QRL03EJ-470X	OM R	47Ω 3W	J		R1738	NRSA63J-103X	MG R	10kΩ 1/16W	J
	R1521	NRSA63J-101X	MG R	100Ω 1/16W	J		R1739-41	NRSA63J-101X	MG R	100Ω 1/16W	J
	R1522	NRSA63J-102X	MG R	1kΩ 1/16W	J		R1742	NRSA63J-0R0X	MG R	0.0Ω 1/16W	J
	R1524	QRL03EJ-820X	OM R	82Ω 3W	J		R1743	QRE141J-102Y	C R	1kΩ 1/4W	J
	R1526	QRL029J-271	OM R	270Ω 2W	J		R1744	NRSA63J-561X	MG R	560Ω 1/16W	J
	R1527	QRL03EJ-103X	OM R	10kΩ 3W	J		R1745	NRSA63J-105X	MG R	1MΩ 1/16W	J
	R1528-29	QRX029J-FR47	MFR	0.47Ω 2W	J		R1746	NRSA63J-333X	MG R	33kΩ 1/16W	J
	R1531	NRSA63J-222X	MG R	2.2kΩ 1/16W	J		R1747	NRSA63J-103X	MG R	10kΩ 1/16W	J
△	R1532	QRZ9017-4R7	F R	4.7Ω 1/4W	J		R1748-49	NRSA63J-225X	MG R	2.2MΩ 1/16W	J
△	R1540	QRZ9011-4R7	F R	4.7Ω 1/2W	J		R1750	QRE141J-0R0Y	C R	0.0Ω 1/4W	J
	R1541-42	QRE121J-124Y	C R	120kΩ 1/2W	J		R1755-56	NRSA63J-101X	MG R	100Ω 1/16W	J
	R1543	QRE121J-471Y	C R	470Ω 1/2W	J		R1757-58	NRSA63J-222X	MG R	2.2kΩ 1/16W	J
	R1545	QRE121J-220Y	C R	22Ω 1/2W	J		R1760	NRSA63J-682X	MG R	6.8kΩ 1/16W	J

△	Symbol No.	Part No.	Part Name	Description	Local	△	Symbol No.	Part No.	Part Name	Description	Local
RESISTOR						RESISTOR					
	R1770	QRE121J-271Y	C R	270Ω 1/2W	J		R1965	NRSA63J-0R0X	MG R	0.0Ω 1/16W	J
	R1771	NRSA63J-102X	MG R	1kΩ 1/16W	J		R1966	NRSA63J-682X	MG R	6.8kΩ 1/16W	J
	R1772	QRE121J-271Y	C R	270Ω 1/2W	J		R1967	NRSA63J-473X	MG R	47kΩ 1/16W	J
	R1773	NRSA63J-102X	MG R	1kΩ 1/16W	J		R1970	NRSA63J-153X	MG R	15kΩ 1/16W	J
	R1775	NRSA63J-332X	MG R	3.3kΩ 1/16W	J		R1971	NRSA63J-183X	MG R	18kΩ 1/16W	J
	R1776	NRSA63J-392X	MG R	3.9kΩ 1/16W	J	△	R1991	QRZ0057-825	C R	8.2MΩ 1W	J
	R1777	NRSA63J-682X	MG R	6.8kΩ 1/16W	J	CAPACITOR					
	R1779	NRSA63J-272X	MG R	2.7kΩ 1/16W	J		C1001	NCB31HK-103X	C CAP.	0.01μF 50V	K
	R1780	NRSA63J-471X	MG R	470Ω 1/16W	J		C1002	QETN1HM-106Z	E CAP.	10μF 50V	M
	R1781	NRSA63J-122X	MG R	1.2kΩ 1/16W	J		C1003	QFV71HJ-104Z	MF CAP.	0.1μF 50V	J
	R1782	NRSA63J-181X	MG R	180Ω 1/16W	J		C1004	QETN1CM-477Z	E CAP.	470μF 16V	M
	R1783	NRSA63J-221X	MG R	220Ω 1/16W	J		C1005	NCB31HK-222X	C CAP.	2200pF 50V	K
	R1784	NRSA63J-331X	MG R	330Ω 1/16W	J		C1006	QETN1CM-336Z	E CAP.	33μF 16V	M
	R1785	NRSA63J-471X	MG R	470Ω 1/16W	J		C1007	NCB31HK-103X	C CAP.	0.01μF 50V	K
	R1803	NRSA63J-333X	MG R	33kΩ 1/16W	J		C1101-04	NCB31HK-472X	C CAP.	4700pF 50V	K
	R1804-05	NRSA63J-750X	MG R	75Ω 1/16W	J		C1106-07	NCB31HK-103X	C CAP.	0.01μF 50V	K
	R1808	NRSA63J-823X	MG R	82kΩ 1/16W	J		C1109	QETN1HM-106Z	E CAP.	10μF 50V	M
	R1809	NRSA63J-391X	MG R	390Ω 1/16W	J		C1150-51	NCB31HK-472X	C CAP.	4700pF 50V	K
	R1810	NRSA63J-823X	MG R	82kΩ 1/16W	J		C1308	NCB31HK-103X	C CAP.	0.01μF 50V	K
	R1811	NRSA63J-391X	MG R	390Ω 1/16W	J		C1352	QFK62EK-104Z	MM CAP.	0.1μF 250V	K
	R1812	NRSA63J-104X	MG R	100kΩ 1/16W	J		C1353	QETN2EM-105Z	E CAP.	1μF 250V	M
	R1813	NRSA63J-222X	MG R	2.2kΩ 1/16W	J		C1354	QCZ0131-222	C CAP.	2200pF 2000V	K
	R1815	NRSA63J-101X	MG R	100Ω 1/16W	J		C1355	QCZ0131-472	C CAP.	4700pF 2000V	K
	R1818	NRSA63J-222X	MG R	2.2kΩ 1/16W	J		C1357	NDC31HJ-101X	C CAP.	100pF 50V	J
	R1820	NRSA63J-101X	MG R	100Ω 1/16W	J		C1358	QETN1CM-477Z	E CAP.	470μF 16V	M
	R1821	NRSA63J-222X	MG R	2.2kΩ 1/16W	J		C1401	QETN1HM-105Z	E CAP.	1μF 50V	M
	R1823	NRSA63J-101X	MG R	100Ω 1/16W	J		C1402	QCB31HK-682Z	C CAP.	6800pF 50V	K
	R1824	NRSA63J-222X	MG R	2.2kΩ 1/16W	J		C1403	QEHR1VM-227Z	E CAP.	220μF 35V	M
	R1826	NRSA63J-101X	MG R	100Ω 1/16W	J		C1406	QFLC2AJ-683Z	M CAP.	0.068μF 100V	J
	R1829	NRSA63J-750X	MG R	75Ω 1/16W	J		C1408	QFV71HJ-184Z	MF CAP.	0.18μF 50V	J
	R1830-31	NRSA63J-222X	MG R	2.2kΩ 1/16W	J		C1411-12	NCF21HZ-334X	C CAP.	0.33μF 50V	Z
	R1832	NRSA63J-122X	MG R	1.2kΩ 1/16W	J		C1413	QFLC2AJ-563Z	M CAP.	0.056μF 100V	J
	R1833	NRSA63J-102X	MG R	1kΩ 1/16W	J		C1422	QEHQ1VM-108	E CAP.	1000μF 35V	M
	R1834-35	NRSA63J-562X	MG R	5.6kΩ 1/16W	J		C1480	QETN1HM-106Z	E CAP.	10μF 50V	M
	R1836	NRSA63J-750X	MG R	75Ω 1/16W	J		C1483	QEZO195-475Z	E CAP.	4.7μF 50V	M
	R1837	NRSA63J-101X	MG R	100Ω 1/16W	J		C1485	QETN1HM-226Z	E CAP.	22μF 50V	M
	R1838	QRK126J-121X	C R	120Ω 1/2W	J		C1521	QETN1VM-476Z	E CAP.	47μF 35V	M
	R1839-40	QRE121J-221Y	C R	220Ω 1/2W	J		C1522	QFLC1HJ-332Z	M CAP.	3300pF 50V	J
	R1841-42	NRSA63J-0R0X	MG R	0.0Ω 1/16W	J		C1523	QFLC1HJ-223Z	M CAP.	0.022μF 50V	J
	R1843	NRSA63J-821X	MG R	820Ω 1/16W	J		C1524	QFZ0200-452	MPP CAP.	4500pF 1.5kVH ±3%	
	R1844	NRSA63J-222X	MG R	2.2kΩ 1/16W	J		C1525	QFZ0200-113	MPP CAP.	0.011μF 1.5kVH ±3%	
	R1845	NRSA63J-102X	MG R	1kΩ 1/16W	J		C1526	QFP32GJ-183	PP CAP.	0.018μF 400V	J
	R1846	NRSA63J-222X	MG R	2.2kΩ 1/16W	J		C1527	QFZ0199-154	MPP CAP.	0.15μF 250V	J
	R1847	NRSA63J-103X	MG R	10kΩ 1/16W	J		C1528	QFZ0199-224	MPP CAP.	0.22μF 250V	J
	R1848	NRSA63J-471X	MG R	470Ω 1/16W	J		C1529	QENC2AM-225Z	BP E CAP.	2.2μF 100V	M
	R1849	NRSA63J-221X	MG R	220Ω 1/16W	J		C1530	QCB32HK-561Z	C CAP.	560pF 500V	K
	R1880	NRSA63J-202X	MG R	2kΩ 1/16W	J		C1531	QEHR1EM-108Z	E CAP.	1000μF 25V	M
	R1881	NRSA63J-103X	MG R	10kΩ 1/16W	J		C1533	QEHR1EM-108Z	E CAP.	1000μF 25V	M
	R1882	NRSA63J-471X	MG R	470Ω 1/16W	J		C1535	QCB32HK-101Z	C CAP.	100pF 500V	K
	R1883	NRSA63J-181X	MG R	180Ω 1/16W	J		C1536	QFLC1HJ-103Z	M CAP.	0.01μF 50V	J
	R1884-85	QRE141J-750Y	C R	75Ω 1/4W	J		C1540	QFV71HJ-104Z	MF CAP.	0.1μF 50V	J
	R1902	QRF154K-2R2	UNF R	2.2Ω	K		C1541	QETN2EM-106Z	E CAP.	10μF 250V	M
	R1904	QRE121J-681Y	C R	680Ω 1/2W	J		C1550	NCB31CK-104X	C CAP.	0.1μF 16V	K
	R1905	QRM034J-R15	MP R	0.15Ω 3W	J		C1591	QETN1AM-107Z	E CAP.	100μF 10V	M
	R1907	NRSA63J-563X	MG R	56kΩ 1/16W	J		C1592	QETM2CM-227	E CAP.	220μF 160V	M
	R1908	QRL039J-333	OM R	33kΩ 3W	J		C1593	QETN1EM-476Z	E CAP.	47μF 25V	M
	R1909	QRE121J-474Y	C R	470kΩ 1/2W	J		C1602	NCB31HK-103X	C CAP.	0.01μF 50V	K
	R1910	QRE121J-472Y	C R	4.7kΩ 1/2W	J		C1603	QETN1CM-107Z	E CAP.	100μF 16V	M
	R1911	QRE121J-332Y	C R	3.3kΩ 1/2W	J		C1604	NCB31CK-104X	C CAP.	0.1μF 16V	K
	R1912	NRSA63J-152X	MG R	1.5kΩ 1/16W	J		C1606-07	NDC31HJ-2R0X	C CAP.	2.0pF 50V	J
△	R1915	QRZ0111-474	C R	470kΩ 1/2W	K		C1608-09	NCB31HK-103X	C CAP.	0.01μF 50V	K
	R1952	NRSA63J-332X	MG R	3.3kΩ 1/16W	J		C1610	QETN1HM-106Z	E CAP.	10μF 50V	M
	R1953	NRSA63J-101X	MG R	100Ω 1/16W	J		C1611	NCB31CK-104X	C CAP.	0.1μF 16V	K
	R1954	QRE121J-560Y	C R	56Ω 1/2W	J		C1612	QETN1HM-106Z	E CAP.	10μF 50V	M
	R1955	QRG01GJ-330	OM R	33Ω 1W	J		C1613	NCB31CK-104X	C CAP.	0.1μF 16V	K
	R1956	QRE121J-100Y	C R	10Ω 1/2W	J		C1615	QETN1HM-106Z	E CAP.	10μF 50V	M
	R1957	QRE121J-6R8Y	C R	6.8Ω 1/2W	J		C1616	NCB31CK-104X	C CAP.	0.1μF 16V	K
	R1960	NRSA63J-391X	MG R	390Ω 1/16W	J		C1617	QETN1HM-106Z	E CAP.	10μF 50V	M
	R1961	QRL02EJ-223X	OM R	22kΩ 2W	J						
	R1962	NRSA63J-561X	MG R	560Ω 1/16W	J						
	R1963	QRE121J-103Y	C R	10kΩ 1/2W	J						
	R1964	NRSA63J-473X	MG R	47kΩ 1/16W	J						

△ Symbol No.	Part No.	Part Name	Description	Local
CAPACITOR				
C1619	NCB31CK-104X	C CAP.	0.1µF 16V K	
C1620	QETN1HM-106Z	E CAP.	10µF 50V M	
C1621-22	NCB31HK-102X	C CAP.	1000pF 50V K	
C1623-24	NCF31AZ-105X	C CAP.	1µF 10V Z	
C1650	QEHR1HM-106Z	E CAP.	10µF 50V M	
C1651	QEHR1HM-107Z	E CAP.	100µF 50V M	
C1652	QETN1HM-106Z	E CAP.	10µF 50V M	
C1655-56	QEQ1VM-108	E CAP.	1000µF 35V M	
C1659-61	NCF21HZ-224X	C CAP.	0.22µF 50V Z	
C1662	QEHR1HM-106Z	E CAP.	10µF 50V M	
C1663	NCF21HZ-224X	C CAP.	0.22µF 50V Z	
C1665	NCB31CK-104X	C CAP.	0.1µF 16V K	
C1666-67	QFLC1HJ-153Z	M CAP.	0.015µF 50V J	
C1668-69	NCB31CK-104X	C CAP.	0.1µF 16V K	
C1670	NCB31HK-223X	C CAP.	0.022µF 50V K	
C1671	QETN1CM-476Z	E CAP.	47µF 16V M	
C1672	NCB31HK-473X	C CAP.	0.047µF 50V K	
C1673	QETN1CM-336Z	E CAP.	33µF 16V M	
C1674	NCB31CK-104X	C CAP.	0.1µF 16V K	
C1675	NCB31HK-473X	C CAP.	0.047µF 50V K	
C1676	NCB31HK-223X	C CAP.	0.022µF 50V K	
C1681-82	QETN1CM-227Z	E CAP.	220µF 16V M	
C1683	QETN1CM-336Z	E CAP.	33µF 16V M	
C1684	QETN1HM-106Z	E CAP.	10µF 50V M	
C1685-86	NCF31AZ-105X	C CAP.	1µF 10V Z	
C1702	QETN1HM-106Z	E CAP.	10µF 50V M	
C1703-04	NDC31HJ-220X	C CAP.	22pF 50V J	
C1706	NCB21EK-224X	C CAP.	0.22µF 25V K	
C1707	QETN1CM-107Z	E CAP.	100µF 16V M	
C1709	QETN1CM-107Z	E CAP.	100µF 16V M	
C1710	NCB21EK-224X	C CAP.	0.22µF 25V K	
C1711	NCB31CK-104X	C CAP.	0.1µF 16V K	
C1713	NCB31CK-104X	C CAP.	0.1µF 16V K	
C1714	QETN1CM-476Z	E CAP.	47µF 16V M	
C1720	QETN1CM-476Z	E CAP.	47µF 16V M	
C1725	NCB31HK-681X	C CAP.	680pF 50V K	
C1726	QETN1HM-106Z	E CAP.	10µF 50V M	
C1730-31	NCB21EK-224X	C CAP.	0.22µF 25V K	
C1732	QETN1CM-107Z	E CAP.	100µF 16V M	
C1733	NCB31CK-104X	C CAP.	0.1µF 16V K	
C1734-35	NCB31HK-222X	C CAP.	2200pF 50V K	
C1736-37	QETN1HM-105Z	E CAP.	1µF 50V M	
C1738	NCB31CK-104X	C CAP.	0.1µF 16V K	
C1739	NFV41CJ-104X	MPP CAP.	0.1µF 16V J	
C1740	QETN1HM-225Z	E CAP.	2.2µF 50V M	
C1741-42	NCB31CK-104X	C CAP.	0.1µF 16V K	
C1743	QETN1CM-107Z	E CAP.	100µF 16V M	
C1744	NCB21HK-102X	C CAP.	1000pF 50V K	
C1745-47	NCB31EK-473X	C CAP.	0.047µF 25V K	
C1749	QETN1HM-106Z	E CAP.	10µF 50V M	
C1751-53	NCB31CK-104X	C CAP.	0.1µF 16V K	
C1760	NCB21EK-104X	C CAP.	0.1µF 25V K	
C1761	QETN1CM-107Z	E CAP.	100µF 16V M	
C1770	QETN1HM-106Z	E CAP.	10µF 50V M	
C1801-04	QETN1HM-106Z	E CAP.	10µF 50V M	
C1805	QFLC1HJ-104Z	M CAP.	0.1µF 50V J	
C1807-08	NCF31AZ-105X	C CAP.	1µF 10V Z	
C1810	NCF31AZ-105X	C CAP.	1µF 10V Z	
C1811	QFLC1HJ-104Z	M CAP.	0.1µF 50V J	
C1812	NCF31AZ-105X	C CAP.	1µF 10V Z	
C1813	NCB31HK-103X	C CAP.	0.01µF 50V K	
C1814	QFLC1HJ-104Z	M CAP.	0.1µF 50V J	
C1815	NCF31AZ-105X	C CAP.	1µF 10V Z	
C1817	NCF31AZ-105X	C CAP.	1µF 10V Z	
C1819	QFLC1HJ-104Z	M CAP.	0.1µF 50V J	
C1820-21	NCF31AZ-105X	C CAP.	1µF 10V Z	
C1822	QETN1CM-477Z	E CAP.	470µF 16V M	
C1823-24	QETN1CM-107Z	E CAP.	100µF 16V M	
C1825	NCB31HK-103X	C CAP.	0.01µF 50V K	
C1826	QFLC1HJ-104Z	M CAP.	0.1µF 50V J	
C1827	NCB31HK-103X	C CAP.	0.01µF 50V K	
C1829-31	NCB31HK-103X	C CAP.	0.01µF 50V K	

△ Symbol No.	Part No.	Part Name	Description	Local
CAPACITOR				
C1833	QETN1HM-226Z	E CAP.	22µF 50V M	
C1834	NDC31HJ-181X	C CAP.	180pF 50V J	
△ C1901	QFZ9073-104	MF CAP.	0.1µF	
△ C1902	QFZ9073-473	C CAP.	0.047µF	
△ C1903-05	QCZ9015-102Z	C CAP.	1000pF 250V Z	
△ C1906	QFZ9073-224	MF CAP.	0.22µF	
C1907	QEZO199-227	E CAP.	220µF 400V M	
C1908	QCZ0364-222	C CAP.	2200pF	
C1910	NDC21HJ-471X	C CAP.	470pF 50V J	
C1911	QEHR1EM-227Z	E CAP.	220µF 25V M	
C1914	QETN1EM-227Z	E CAP.	220µF 25V M	
C1915	QFLC1HJ-152Z	M CAP.	1500pF 50V J	
C1952	QCB32HK-471Z	C CAP.	470pF 500V K	
C1953	QEHR1VM-108Z	E CAP.	1000µF 35V M	
C1954	NCB31HK-102X	C CAP.	1000pF 50V K	
C1955	QCB32HK-471Z	C CAP.	470pF 500V K	
C1956	QETN1VM-227Z	E CAP.	220µF 35V M	
C1957	QCB32HK-471Z	C CAP.	470pF 500V K	
C1958	QEQ1EM-108	E CAP.	1000µF 25V M	
C1959	QCZ0364-561	C CAP.	560pF	
C1960	QEZO203-227	E CAP.	220µF 160V M	
C1962	QETN1HM-106Z	E CAP.	10µF 50V M	
C1963	QETN1CM-476Z	E CAP.	47µF 16V M	
C1964	QEHR1VM-476Z	E CAP.	47µF 35V M	
C1968	NCB31CK-104X	C CAP.	0.1µF 16V K	
C1972	QEHR1VM-476Z	E CAP.	47µF 35V M	
C1973	QEHR1CM-107Z	E CAP.	100µF 16V M	
C1974	NCB31CK-104X	C CAP.	0.1µF 16V K	
C1975	QEHR1CM-227Z	E CAP.	220µF 16V M	
C1976	QEHR1CM-107Z	E CAP.	100µF 16V M	
C1977	QEHR1VM-476Z	E CAP.	47µF 35V M	
C1978	NCB21HK-104X	C CAP.	0.1µF 50V K	
C1980	QETN1CM-107Z	E CAP.	100µF 16V M	
△ C1991-93	QCZ9079-102	C CAP.	1000pF 250V M	
TRANSFORMER				
T1521	QQR1229-001	DRIVE TRANSF.		
△ T1551	QQH0097-001	FLYBACK TRANSF.		
△ T1901	QQS0116-001	SWITCH TRANSF.		
COIL				
L1001-02	QQL244K-8R2Z	COIL	8.2µH	K
L1101	QQL244J-5R6Z	COIL	5.6µH	J
L1104	QQL244K-180Z	COIL	18µH	K
L1351	QQL03BJ-5R6Z	COIL	5.6µH	J
L1480	QQR1138-001	CHOKE COIL		
L1523	QQR1137-005	LINEARITY COIL		
L1524	QQLZ034-240	HEATER CHOKE	24µH	
L1601	QQL244K-4R7Z	COIL	4.7µH	K
L1602	QRN143J-0R0X	C R	0.0Ω	1/4W J
L1701-02	QQL244K-100Z	COIL	10µH	K
L1731	QQL244J-5R6Z	COIL	5.6µH	J
L1951	QQLZ034-460	CHOKE COIL	46µH	
L1953-54	QQL244J-5R6Z	COIL	5.6µH	J
DIODE				
D1101	DAN235K-X	SI.DIODE		
D1351	MA111-X	SI.DIODE		
D1356	MA111-X	SI.DIODE		
D1357	RGP10J-5025-T3	SI.DIODE		
D1358	RGP10J-5025-T3	SI.DIODE		
D1359	RGP10J-5025-T3	SI.DIODE		
D1360	MA3075/M-X	ZENER DIODE		
D1401	RGP10J-5025-T3	SI.DIODE		

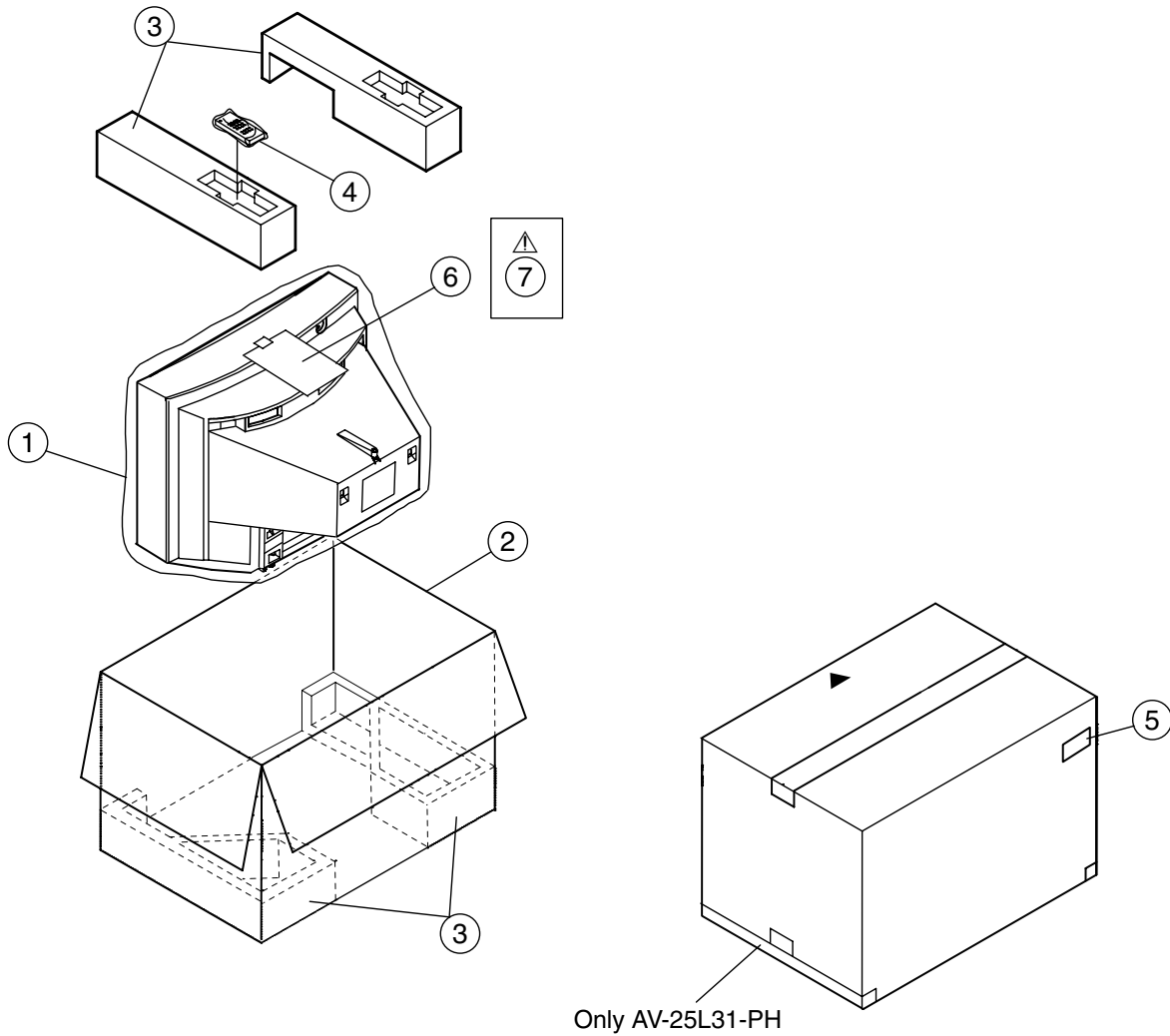
△ Symbol No.	Part No.	Part Name	Description	Local	△ Symbol No.	Part No.	Part Name	Description	Local
DIODE					IC				
D1402	MTZJ75-T2	ZENER DIODE			IC1351	TDA6107Q/N2	I.C(MONO-ANA)		
D1405	1N4003-T2	SI.DIODE			IC1401	AN5522	I.C(MONO-ANA)		
D1408	MA111-X	SI.DIODE			IC1480	UPC358G2-XE	I.C(MONO-ANA)		
D1480	MTZJ4.3A-T2	ZENER DIODE			IC1601	MSP3445G-QG-B8	I.C		
D1521	RH3G-F1	SI.DIODE			IC1650	AN5276	I.C(MONO-ANA)		
D1522	31DF6N-FC5	DIODE			IC1665	BA4558F-X	I.C(MONO-ANA)		
D1523	RGP10J-5025-T3	SI.DIODE			IC1701	TDA9365N13S0519	I.C(MICRO-COMPO)		
D1541	RGP10J-5025-T3	SI.DIODE			IC1702	AT24C08-25LS	I.C(MEMORY-OTH)	(SERVICE)	
D1550	MA111-X	SI.DIODE			IC1760	GP1U281Q	IFR DETECT UNIT		
D1551	RGP10J-5025-T3	SI.DIODE			IC1801	MM1492AF	I.C(MONO-ANA)		
D1553	RGP10J-5025-T3	SI.DIODE			IC1901	STR-F6709A/F7	I.C(HYBRID)		
D1554	RGP10J-5025-T3	SI.DIODE			IC1951	SE135N	I.C(HYBRID)		
D1592	MA3075/H/-X	ZENER DIODE			IC1972	L88M33T-X	I.C(MONO-ANA)		
D1652-53	MA3330/L/-X	ZENER DIODE			IC1974	BA51W12ST-V5	I.C(MONO-ANA)		
D1682	MA111-X	SI.DIODE			OTHERS				
D1702	MA3024-X	ZENER DIODE				LC30114-001C-H	L.E.D.HOLDER		
D1730-33	MA111-X	SI.DIODE				CM35921-005-H	CDS HOLDER		
D1760	SLR-342VR-T16	L.E.D.				QAX0639-001Z	CERAMIC FILTER		
D1770	MA111-X	SI.DIODE			CF1106				
D1771	P1241-04	C.D.S.			△ CP1951	ICP-N75-Y	I.C.PROTECT		
D1806-07	MTZJ12C-T2	ZENER DIODE			△ CP1952	ICP-N50-Y	I.C.PROTECT		
D1901	GSIB460	DIODE			△ CP1953	ICP-N38-Y	I.C.PROTECT		
D1903	MTZJ12C-T2	ZENER DIODE			△ F1901	QMF51E2-4R0J4	FUSE		
D1904	EG01C-T2	SI.DIODE			FC1901	CEMG002-001Z	FUSE CLIP		
D1906	EG01C-T2	SI.DIODE			J1770	QNS0155-001	JACK		
D1907	MA3150/M/-X	ZENER DIODE			J1771	QNN0282-003	PIN JACK		
D1908	MTZJ27B-T2	ZENER DIODE			J1772	QNN0282-002	PIN JACK		
D1909	MA111-X	SI.DIODE			J1773	QNN0282-001	PIN JACK		
D1910	NRSA63J-0R0X	MG R	0.0Ω	1/16W J	J1801	QNN0349-001	PIN JACK		
D1911	RGP10J-TS-T3	SI.DIODE			J1802	QNN0349-002	PIN JACK		
D1912	1SS133-T2	SI.DIODE			J1803	QNN0348-001	PIN JACK		
D1914	ERC30-02L38	SI.DIODE			J1804	QNN0349-001	PIN JACK		
D1952	ERC30-02L38	SI.DIODE			K1902	CE41433-001Z	BEADS CORE		
D1953	RGP10J-5025-T3	SI.DIODE			K1951	QQR1214-001Y	FERRITE BEADS		
D1954	RGP30B-F1	SI.DIODE			K1953-55	QQR1214-001Y	FERRITE BEADS		
D1955	1SR35-400A-T2	SI.DIODE			LC1601	CE42482-103Y	EMI FILTER		
D1956	31DF6N-FC5	DIODE			△ LF1901	QQR0673-004	LINE FILTER		
D1958	MTZJ5.1A-T2	ZENER DIODE			△ LF1902	QQR1035-002	LINE FILTER		
D1964	MA3330/L/-X	ZENER DIODE			△ PC1901	PC123F2	I.C(PH.COUPLER)		
D1965	1SS133-T2	SI.DIODE			△ RY1901	QSK0061-001	RELAY		
D1966	MA3068/M/-X	ZENER DIODE			S1780	QSW0619-003Z	PUSH SWITCH	MENU	
D1968-69	MA111-X	SI.DIODE			S1781	QSW0619-003Z	PUSH SWITCH	CH-	
TRANSISTOR					S1782	QSW0619-003Z	PUSH SWITCH	CH+	
Q1101	2SC5083/L-P/-T	SI.TRANSISTOR			S1783	QSW0619-003Z	PUSH SWITCH	VOL-	
Q1109	2SA1037AK/QR/-X	SI.TRANSISTOR			S1784	QSW0619-003Z	PUSH SWITCH	VOL+	
Q1111	2SC2412K/QR/-X	SI.TRANSISTOR			△ S1901	QSW0846-001	PUSH SWITCH	POWER	
Q1150	2SC2412K/QR/-X	SI.TRANSISTOR			SF1101	QAX0663-001	SAW FILTER		
Q1301-02	2SA1037AK/QR/-X	SI.TRANSISTOR			SF1102	QAX0594-001	SAW FILTER		
Q1353-55	2SC2412K/QR/-X	SI.TRANSISTOR			SG1301-03	QAF0006-501	ARRESTER		
Q1480	2SD1408/OY/-LB	SI.TRANSISTOR			SG1304	QAF0041-272	ARRESTER		
Q1521	2SC2655/Y/-T	SI.TRANSISTOR			△ SK1351	CE42446-001	C.R.T.SOCKET		
Q1522	2SD2634-YD	SI.TRANSISTOR			TH1901	QAD0134-4R5	P.THERMISTOR		
Q1591	2SA1208/ST/Z1-T	SI.TRANSISTOR			TU1001	QAU0251-001	TUNER		
Q1592	DTC124EKA-X	DIGI.TRANSISTOR			△ VA1901	QAF0052-621	VARIATOR		
Q1660-61	2SC2412K/QR/-X	SI.TRANSISTOR			W1003	QQR1214-001Y	FERRITE BEADS		
Q1683-84	2SA1037AK/QR/-X	SI.TRANSISTOR			W1008	NRSA63J-0R0X	MG R	0.0Ω	1/16W J
Q1685-86	DTC323TK-X	DIGI.TRANSISTOR			W1010	NRSA63J-0R0X	MG R	0.0Ω	1/16W J
Q1687	2SC2412K/QR/-X	SI.TRANSISTOR			W1052	QQR1214-001Y	FERRITE BEADS		
Q1701-02	2SA1037AK/QR/-X	SI.TRANSISTOR			W1071	NRSA63J-0R0X	MG R	0.0Ω	1/16W J
Q1703	2SC2412K/QR/-X	SI.TRANSISTOR			W1096	NRSA63J-0R0X	MG R	0.0Ω	1/16W J
Q1720	2SA1037AK/QR/-X	SI.TRANSISTOR			W1107	QQR1214-001Y	FERRITE BEADS		
Q1770	2SA1037AK/QR/-X	SI.TRANSISTOR			W1239	NRSA63J-0R0X	MG R	0.0Ω	1/16W J
Q1801-02	DTC323TK-X	DIGI.TRANSISTOR			W1257	NRSA63J-0R0X	MG R	0.0Ω	1/16W J
Q1803	2SA1037AK/QR/-X	SI.TRANSISTOR			W1293	QQR1214-001Y	FERRITE BEADS		
Q1804	2SC1740S/QR/-T	SI.TRANSISTOR			W1298	QQR1214-001Y	FERRITE BEADS		
Q1860	2SC2412K/QR/-X	SI.TRANSISTOR			W1307	NRSA63J-0R0X	MG R	0.0Ω	1/16W J
Q1861-62	2SA1037AK/QR/-X	SI.TRANSISTOR			W1309	NRSA63J-0R0X	MG R	0.0Ω	1/16W J
Q1952-54	2SC2412K/QR/-X	SI.TRANSISTOR			W1321-22	NRSA63J-0R0X	MG R	0.0Ω	1/16W J
					W1325-26	NRSA63J-0R0X	MG R	0.0Ω	1/16W J
					W1330	NRSA63J-0R0X	MG R	0.0Ω	1/16W J
					W1333	NRSA63J-0R0X	MG R	0.0Ω	1/16W J

△ Symbol No.	Part No.	Part Name	Description	Local
OTHERS				
W1375	NRSA63J-0R0X	MG R	0.0Ω 1/16W J	
W1379	NRSA63J-0R0X	MG R	0.0Ω 1/16W J	
W1388	NRSA63J-0R0X	MG R	0.0Ω 1/16W J	
W1418	NRSA63J-0R0X	MG R	0.0Ω 1/16W J	
W1420	NRSA63J-0R0X	MG R	0.0Ω 1/16W J	
W1424	QQR1214-001Y	FERRITE BEADS		
W1430	NRSA63J-0R0X	MG R	0.0Ω 1/16W J	
X1601	CE42546-001Z	CRYSTAL		
X1701	QAX0688-001	CRYSTAL		
Y1004	NRSA63J-0R0X	MG R	0.0Ω 1/16W J	
Y1103	QRE141J-0R0Y	C R	0.0Ω 1/4W J	
Y1301-02	NRSA63J-0R0X	MG R	0.0Ω 1/16W J	
Y1602	NRSA63J-0R0X	MG R	0.0Ω 1/16W J	
Y1604	NRSA63J-0R0X	MG R	0.0Ω 1/16W J	

AV-21L11-PH,AV-21L31-PH AND AV-25L31-PH REMOTE CONTROL UNIT PARTS LIST (RM-C248-2C)

△ Ref.No.	Part No.	Part Name	Description	Local
	31392340128	BATTERY COVER		

PACKING



PACKING PARTS LIST

△ Ref.No.	Part No.	Part Name	Description	Local
1	CP30967-003-H	POLY BAG	[AV-21L11-PH, AV-21L31-PH]	
1	CP30967-004-H	POLY BAG	[AV-25L31-PH]	
2	GG10077-007A-P	P CASE	[AV-21L11-PH]	
2	GG10077-006A-P	P CASE	[AV-21L31-PH]	
2	GG10077-005A-P	P CASE	[AV-25L31-PH]	
3	GG10131-002A-P	CUSHION ASSY	[AV-21L11-PH, AV-21L31-PH]	
3	GG10135-002A-P	CUSHION ASS'Y	[AV-25L31-PH]	
4	RM-C248-2C	RC HAND UNIT		
5	CP30902-056(R)	POS LABEL	[AV-21L11-PH]	
5	CP30902-053(R)	POS LABEL	[AV-21L31-PH]	
5	CP30902-052(R)	POS LABEL	[AV-25L31-PH]	
6	CP30966-001-H	POLY BAG		
△ 7	LCT0991-001A-H	INST BOOK		